



# Disassembly

## NOTE:

- Handle the terminals and printed circuit boards carefully to avoid damaging them.
- Replace the speedometer, trip meter, and printed circuit board A as a unit if any of them is faulty.
- Replace the tachometer, odometer, and printed circuit board B as a unit if any of them is faulty.

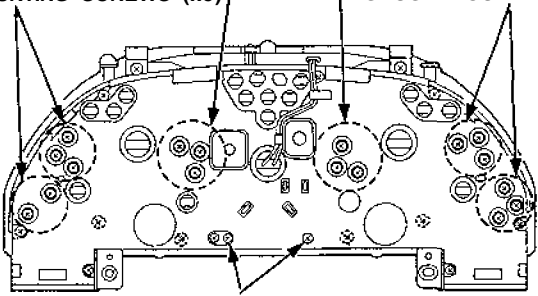
SPEEDOMETER MOUNTING SCREWS (x3)

TACHOMETER MOUNTING SCREWS (x3)

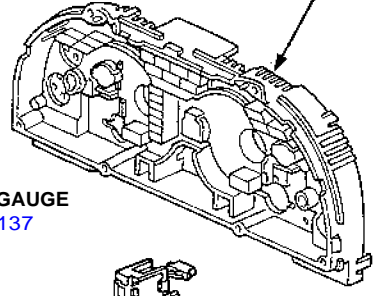
VOLTAGE/FUEL GAUGE MOUNTING SCREWS (x5)

ENGINE COOLANT TEMP./ENGINE OIL PRESSURE GAUGE MOUNTING SCREWS (x6)

HOUSING



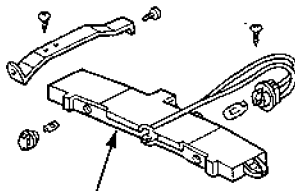
ENGINE COOLANT TEMPERATURE/ENGINE OIL PRESSURE GAUGE  
Test, page 23-136 and 137



SAFETY INDICATOR MOUNTING SCREWS (x2)

SHIFT INDICATOR

- TACHOMETER  
Specification, page 23-121
- A/T GEAR POSITION INDICATOR  
See page 23-152 ('94-'96) ('91-'93)



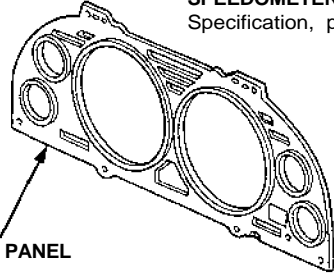
LIGHT HOUSING

ODOMETER

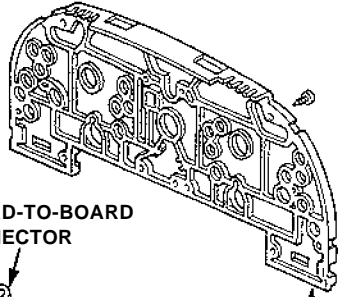
SPEEDOMETER  
Specification, page 23-121

TRIP METER

FUEL/VOLTAGE GAUGE  
Test, page 23-121 and 134



FACE PANEL

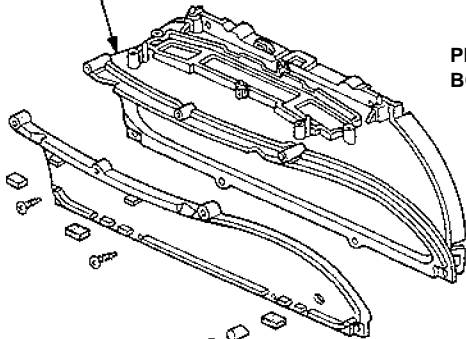


PRINTED CIRCUIT BOARD COVER

VISOR

PRINTED CIRCUIT BOARD B

BOARD-TO-BOARD CONNECTOR



TRIP METER RESET BUTTON

SAFETY INDICATOR  
See page 23-145 ('93-'96)('91-'92)

PRINTED CIRCUIT BOARD A