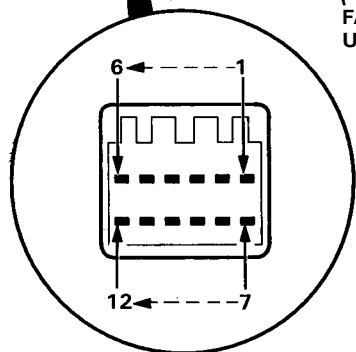
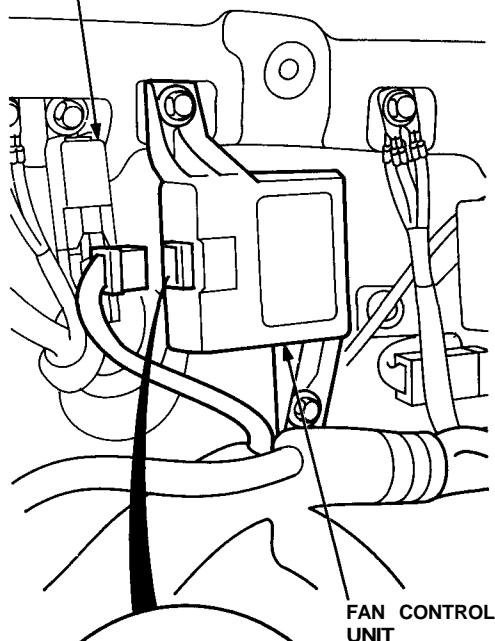


Radiator and Condenser Fan Controls

Control Unit Terminals

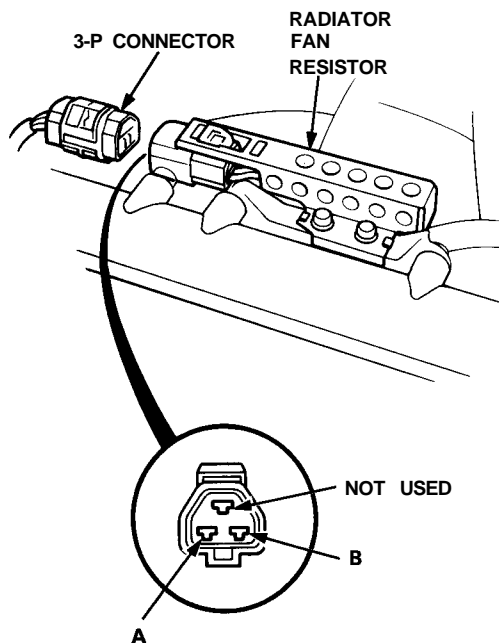
THROTTLE VALVE CONTROL
MOTOR RELAY



Terminal	Wire Color	Connects to
1	—	Not used
2	LT GRN	Radiator fan control sensor ⊖
3	GRY/BLK	Climate control unit
4	BLU/RED	Radiator fan high and engine compartment fan relays coil ⊖
5	BLK	Ground (G401, G402, G403)
6	BRN/BLK	A/C triple pressure switch A
7	GRN	Radiator fan control sensor ⊕
8	—	Not used
9	ORN/BLU	Condenser fan relay coil ⊖
10	BLU/BLK	ECM (ACS)
11	YEL/BLK	IG2 (Power supply)
12	GRN/BLK	Radiator fan low relay coil ⊖

Radiator Fan Resistor Test

1. Disconnect the 3-P connector from the resistor.



2. Using an ohmmeter, measure resistance between the A and B terminals. Replace the resistor if the resistance is not within specifications.

NOTE: Resistance will vary with the resistor temperature; specifications are at 68°F (20°C).

Radiator Fan Resistor
Resistance: 0.54—0.66 ohms