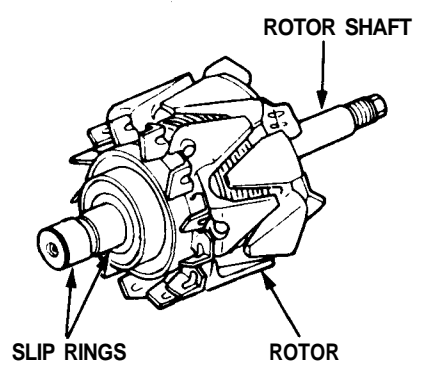


# Charging System

## Rotor Slip Ring Test

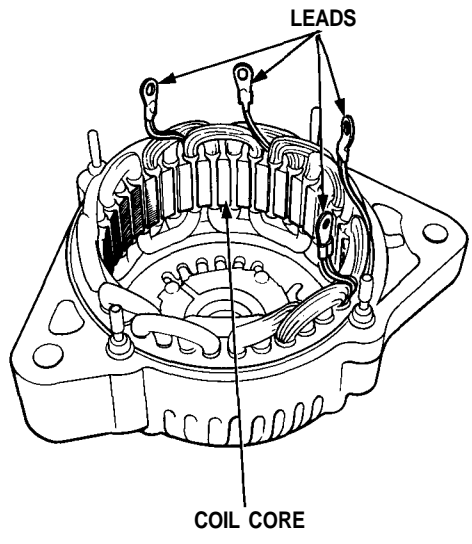
1. Check that there is continuity between the slip rings.
2. Check that there is no continuity between the slip rings and the rotor or rotor shaft.



3. If the rotor fails either continuity check, replace the alternator.

## Stator Test

1. Check that there is continuity between each pair of leads.
2. Check that there is no continuity between each lead and the coil core.



3. If the coil fails either continuity check, replace the alternator.