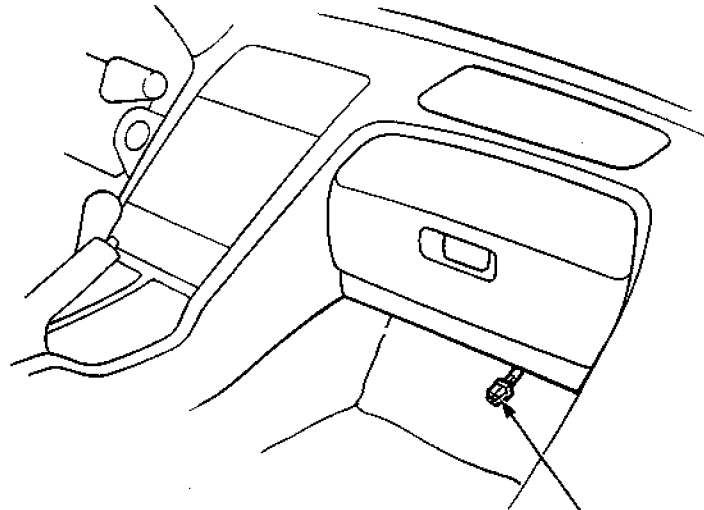


Ignition System

Component Local

IGNITION TIMING CONTROL SYSTEM

- Description, page 23-89
- Inspection, page 23-91 ('94-'96) ('91-'93).
- Troubleshooting, section 11



SERVICE CHECK CONNECTOR (2-P)
(Connector color: BLU)

