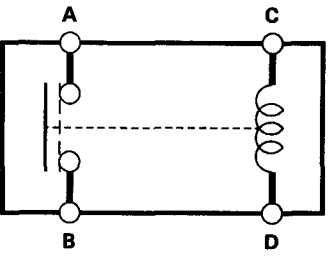
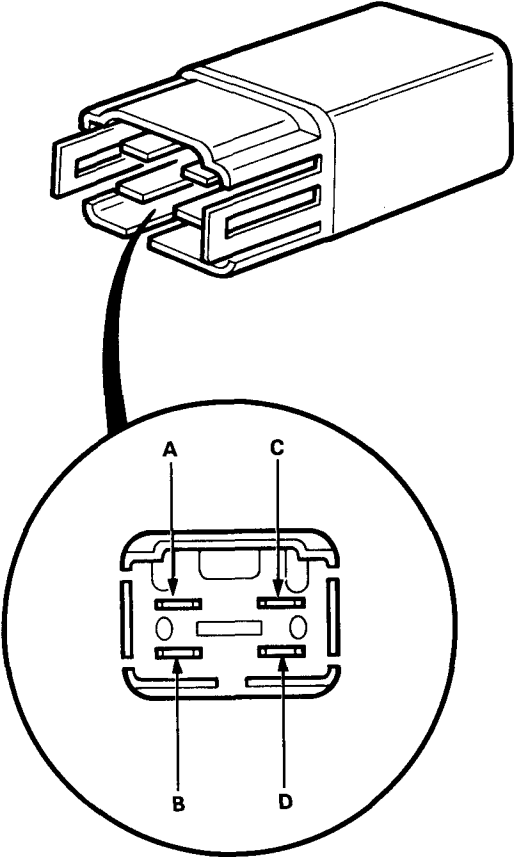


Starting System

Starter Cut Relay Test

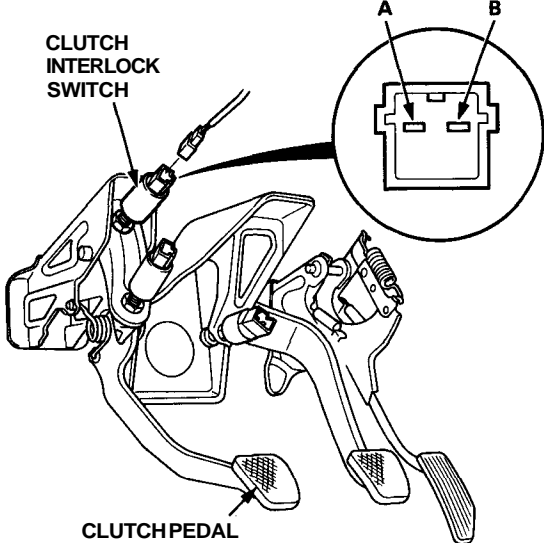
1. Remove the glove box (see [section 20](#)).
2. Disconnect the 4-P connector from the starter cut relay.
(Wire colors of 4-P connector: BLK/GRN, BLK/WHT, BLK/BLU and BLK/WHT)
3. Check continuity at the relay terminals.
 - There should be continuity between the C and D terminals.
 - There should be continuity between the A and B terminals when power and ground are connected to the C and D terminals.
 - There should be no continuity between the A and B terminals when power is disconnected.



Clutch Interlock Switch Test (M/T)

1. Remove the dashboard lower cover and knee bolster, then disconnect the 2-P connector from the switch.
2. Check for continuity between the terminals according to the table.

Terminal	A	B
Clutch Pedal		
RELEASED		
PUSHED	○	○



3. If necessary, replace the switch or adjust the switch position (see [section 12](#)).