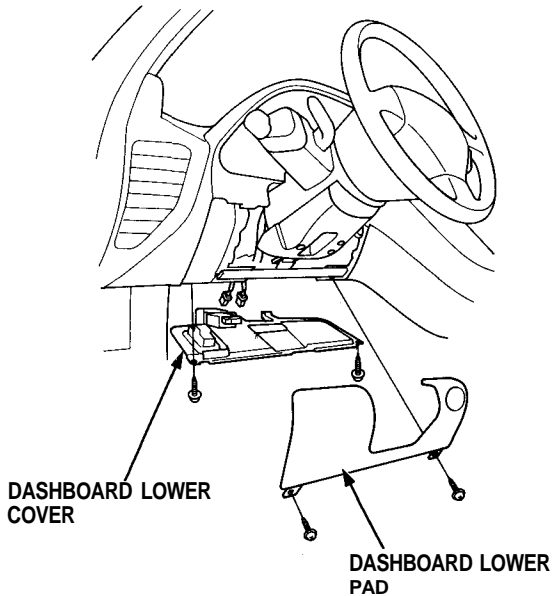




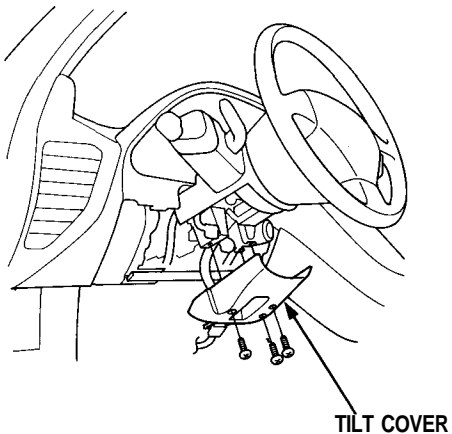
Steering Lock Removal/Installation

SRS components are located in this area. Review the SRS component locations, precautions, and procedures in the SRS [section 24](#) before performing repairs or service.

1. Remove the dashboard lower cover, and disconnect the connectors.
2. Remove the dashboard lower pad.

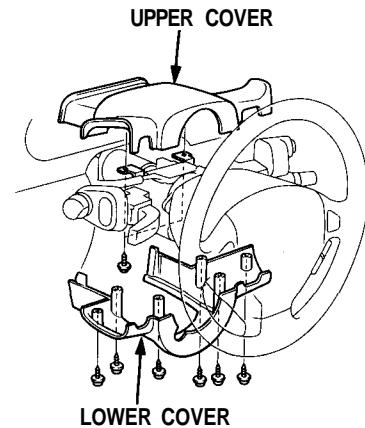


3. Remove the tilt cover.

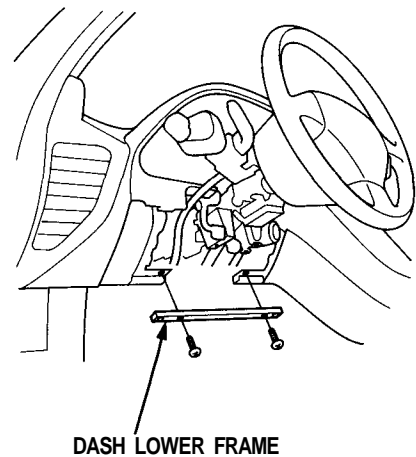


4. Remove the steering column lower and upper covers.

NOTE: Be careful not to damage the steering column covers.



5. Remove the dash lower frame.



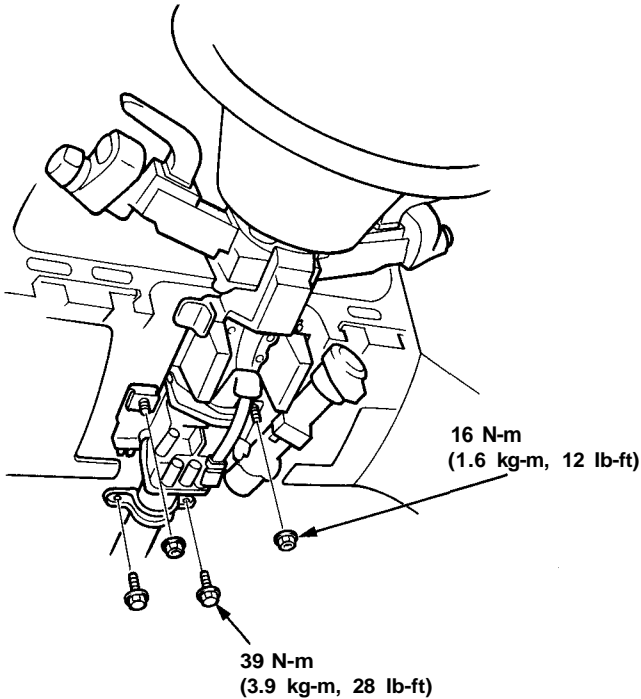
(cont'd)

Ignition Switch

Steering Lock Removal/Installation (cont'd)

6. Disconnect the ignition switch 7-P and 8-P connectors.
7. Remove the column holder mounting bolts and the mounting nuts, and lower the steering column assembly.

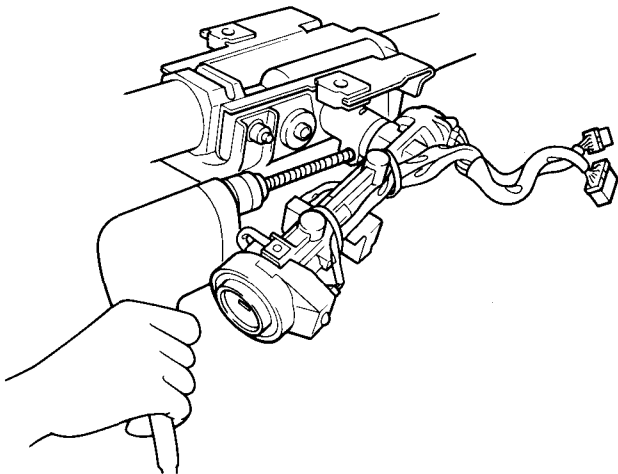
CAUTION: Be careful not to damage the SRS wire harness.



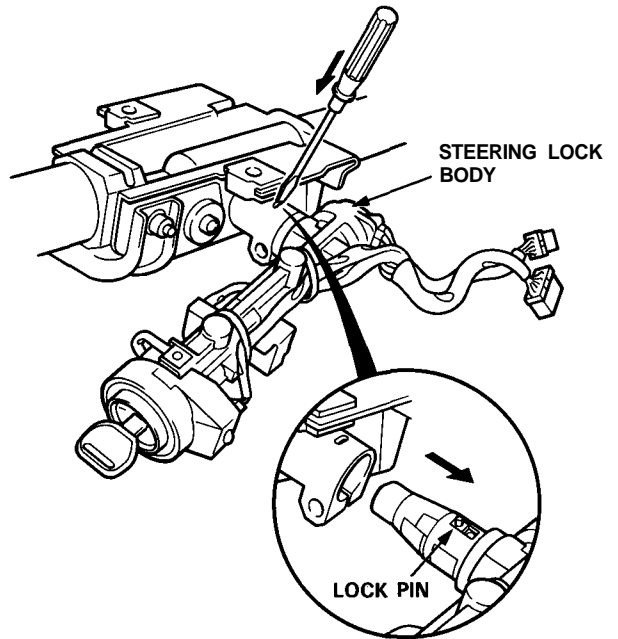
8. Center-punch the shear bolt, and drill its head off with a 5 mm (3/16 in) drill bit.

CAUTION: Do not damage the switch body.

9. Remove the shear bolt from the switch body.



10. Insert the key, and turn it to "I".
11. Push the lock pin, and pull out the steering lock assembly.



Installation:

1. Turn the key to "I", push the pin, and insert the steering lock assembly into the steering column until it clicks into place.
2. Loosely tighten the new shear bolt. Make sure the projection on the ignition switch is aligned with the hole in the steering column.
3. Insert the ignition key, and check for proper operation of the steering wheel lock and that the ignition key turns freely.
4. Tighten the shear bolt until the hex head twists off.

