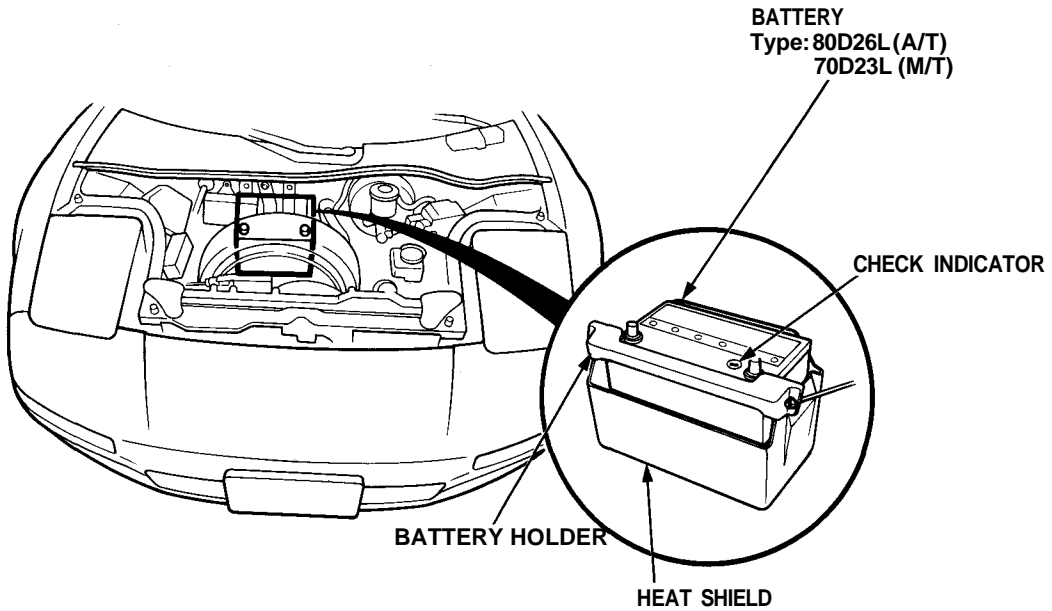




# Battery

## Component Location Index



## Replacement

1. Remove the spare tire and the spare tire holder.
2. Disconnect both the negative cable and positive cable from the battery.
3. Remove the battery holder, then take out the battery.

