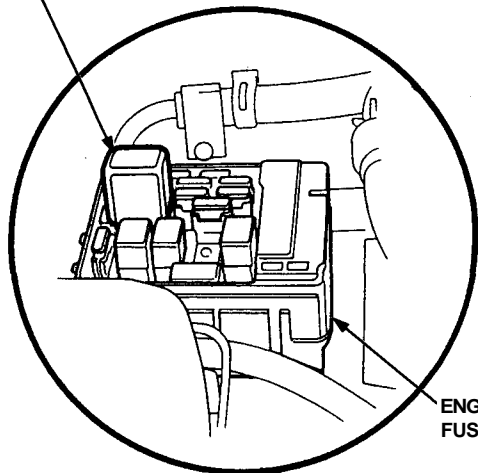


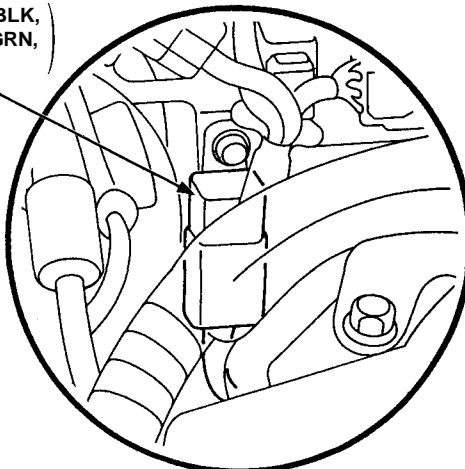
# Relay and Control Unit Locations

## Engine Compartment

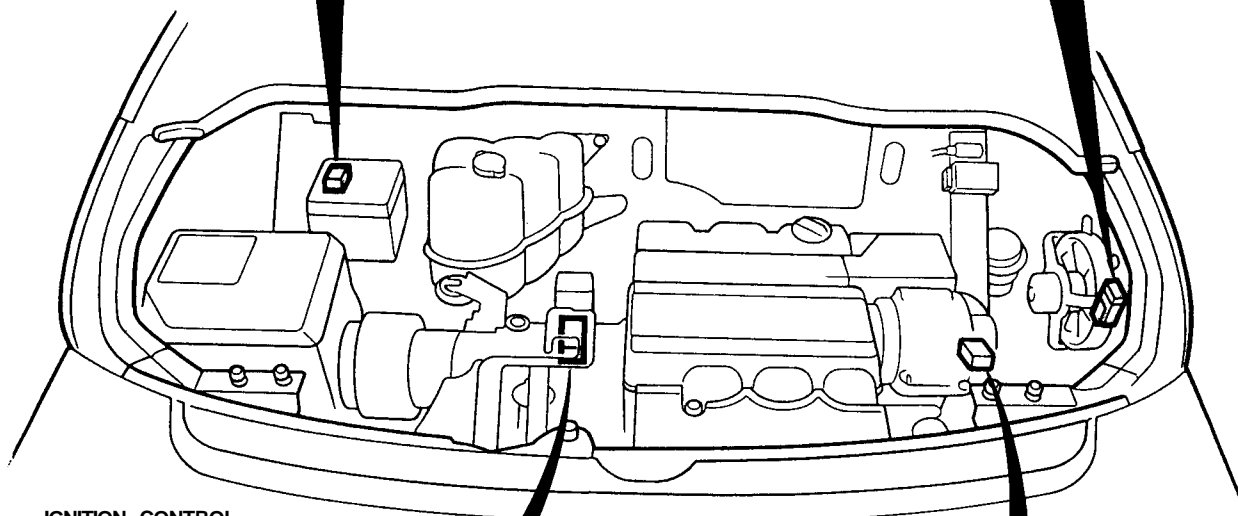
REAR WINDOW DEFOGGER  
RELAY



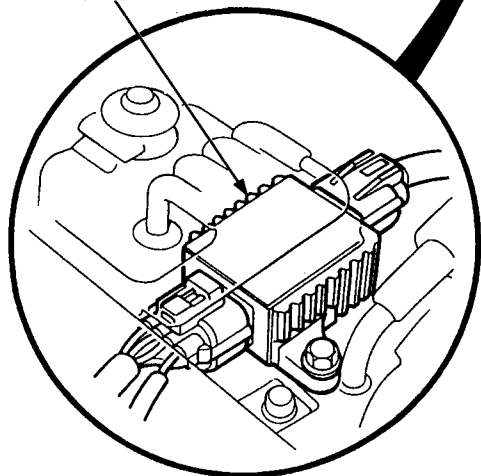
ENGINE COMPARTMENT  
FAN RELAY (A/T)  
(Wirecolors: YEL/BLK,  
BLU/RED, WHT/GRN,  
and WHT/BLU)



ENGINE COMPARTMENT  
FUSE/RELAY BOX



IGNITION CONTROL  
MODULE (ICM)



SPARK PLUG VOLTAGE  
DETECTION MODULE

