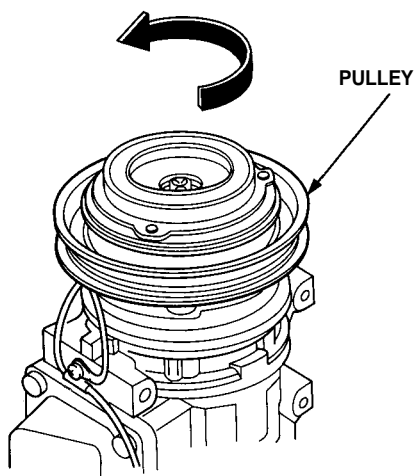




Clutch Inspection

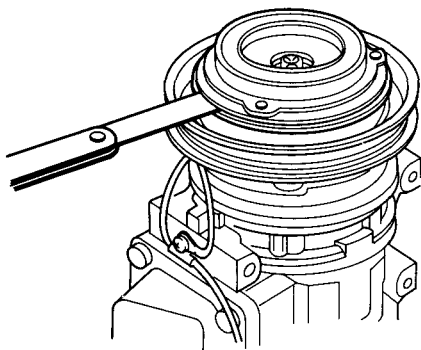
- Check the plated parts of the pressure plate for color changes, peeling or other damage. If there is damage, replace the clutch set.
- Check the pulley bearing play and drag by rotating the pulley by hand. Replace the clutch set with a new one if it is noisy or has excessive play/drag.



- Measure the clearance between the pulley and the pressure plate all the way around. If the clearance is not within specified limits, the pressure plate must be removed and shims added or removed as required, following the procedure on page 22-40.

Clearance: 0.5 ± 0.15 mm (0.020 ± 0.006 in)

NOTE: The shims are available in three thicknesses: 0.1 mm, 0.3 mm and 0.5 mm.



- Check resistance of the field coil.

Field Coil Resistance: 3.6 ± 0.2 ohms at 68 F (20 C)

If resistance is not within specifications, replace the field coil.

