

In-car Temperature Sensor

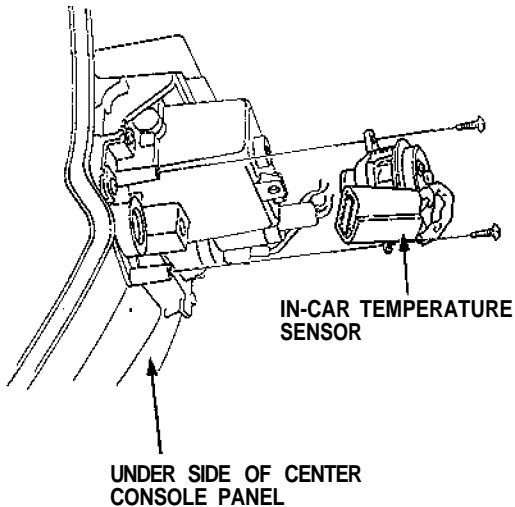


Removal

The in-car temperature sensor assembly includes a small fan (aspirator fan) to draw air past the sensor (see page 22-66('93-'96), 91('91-'92)).

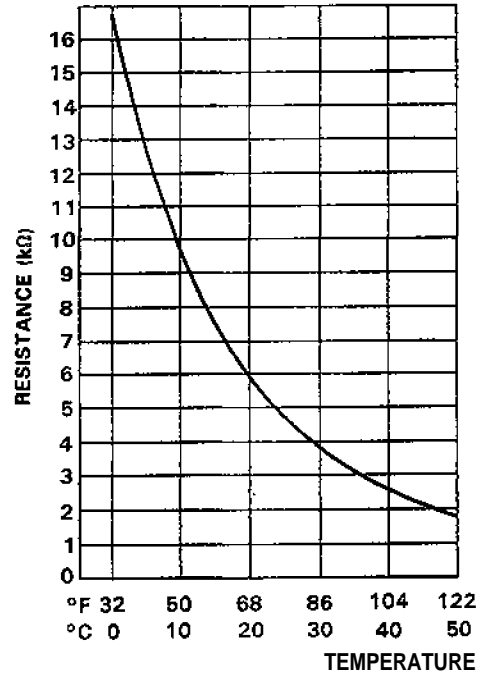
SRS components are located in this area. Review the SRS component locations, precautions, and procedures in the SRS section (24) before performing repairs or service.

1. Remove the center console panel (see page 22-54).
2. Remove the two screws and the in-car temperature sensor from the under side of the center console panel. Be careful not to damage the center console panel.



Test

Compare the resistance reading between the No. 1 and No. 2 terminals of the in-car temperature sensor with specifications shown in the following graph: It should be within specification.



CAUTION: The sensor uses a thermistor which can be damaged if high current is applied to it during testing. Therefore, use a circuit tester that puts out a measuring current of 1 mA or less.

