

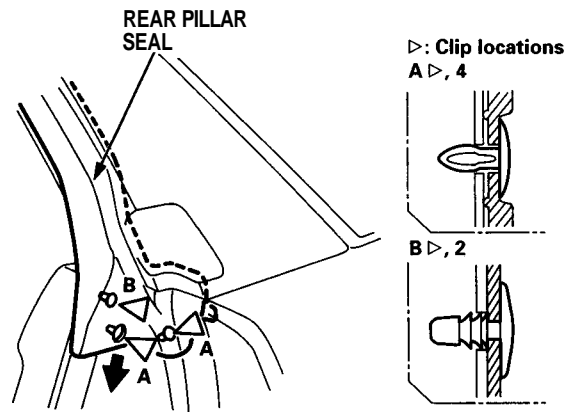
Rear Pillar Seal/Retainer

Replacement

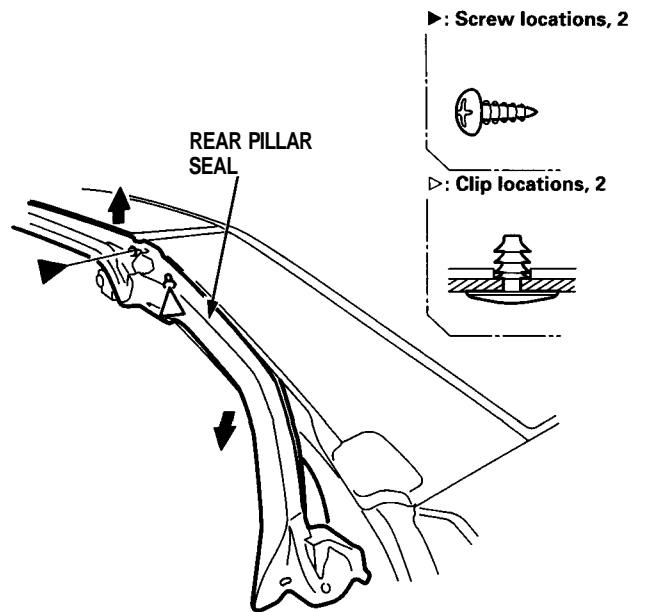
NOTE:

- When the rear pillar seal has been removed, and/or it is damaged, replace it with new one.
- Have an assistant help replace the rear pillar seal.

1. Remove the roof.
2. Remove the rear roof rail trim (see page 20-80).
3. Detach the clips from the bottom of both rear pillar.

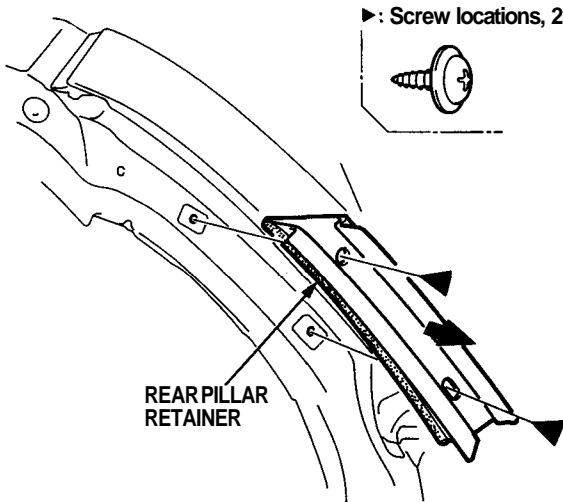


4. Remove the screws, and detach the clips from each side, then remove the rear pillar seal.





5. Remove the screws, then remove the rear pillar retainer.



6. Scrape the old sealant from the body bonding surface with a putty knife.

NOTE: Do not scrape down to the painted surfaces of the body.

7. Clean the body bonding surface with a sponge dampened in alcohol.

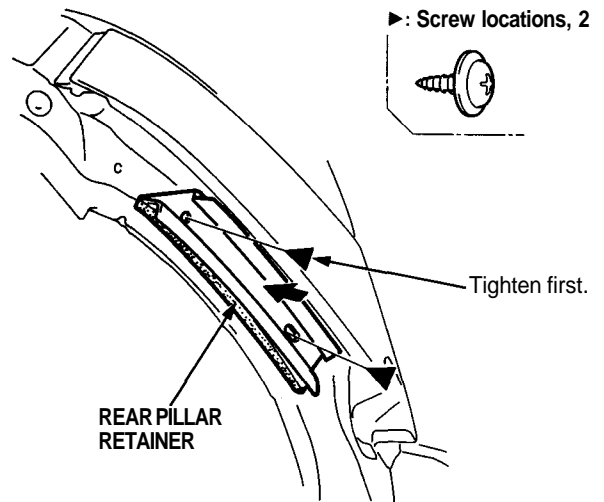
NOTE: After cleaning, keep oil, grease and water from getting on the surface.

8. If the old rear pillar retainer is to be reinstalled, use a putty knife to scrape off all of the old sealant, then clean the rear pillar retainer surface with alcohol where new sealant is to be applied.

9. Install the rear pillar retainer.

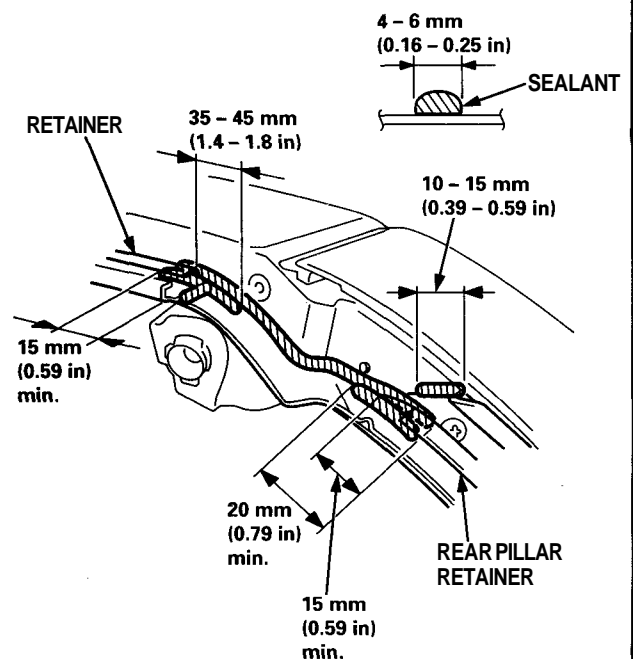
NOTE:

- Be careful not to touch the rear pillar retainer where sealant will be applied.
- First tighten the screw at top of the rear pillar retainer.



10. Apply new sealant to the body and rear pillar retainer on each side as shown.

 : Sealant locations
(Cemedine P/N 08712 - 0004, or equivalent)



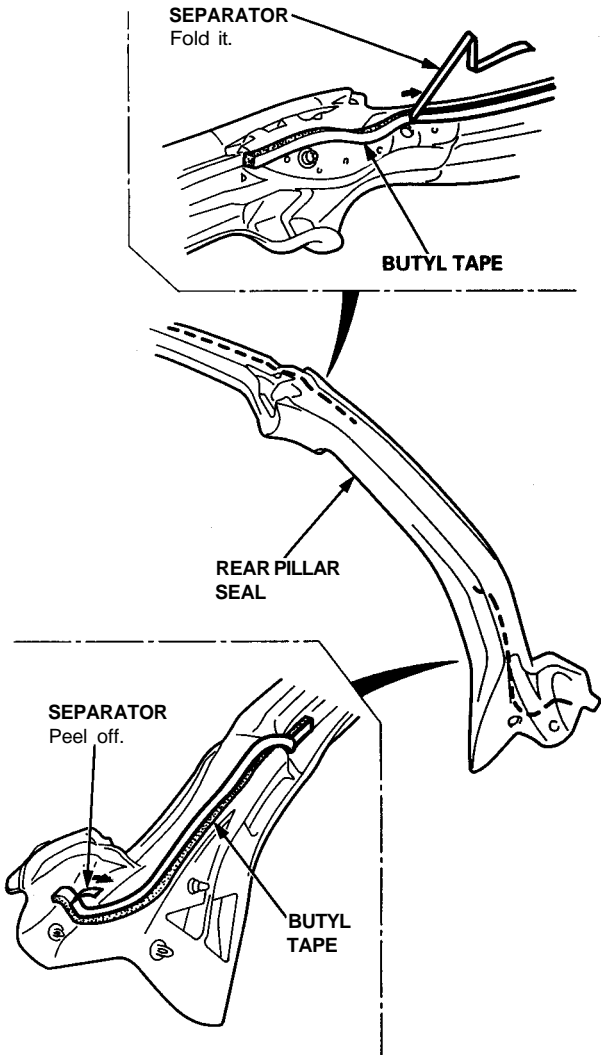
(cont'd)

Rear Pillar Seal/Retainer

Replacement (cont'd)

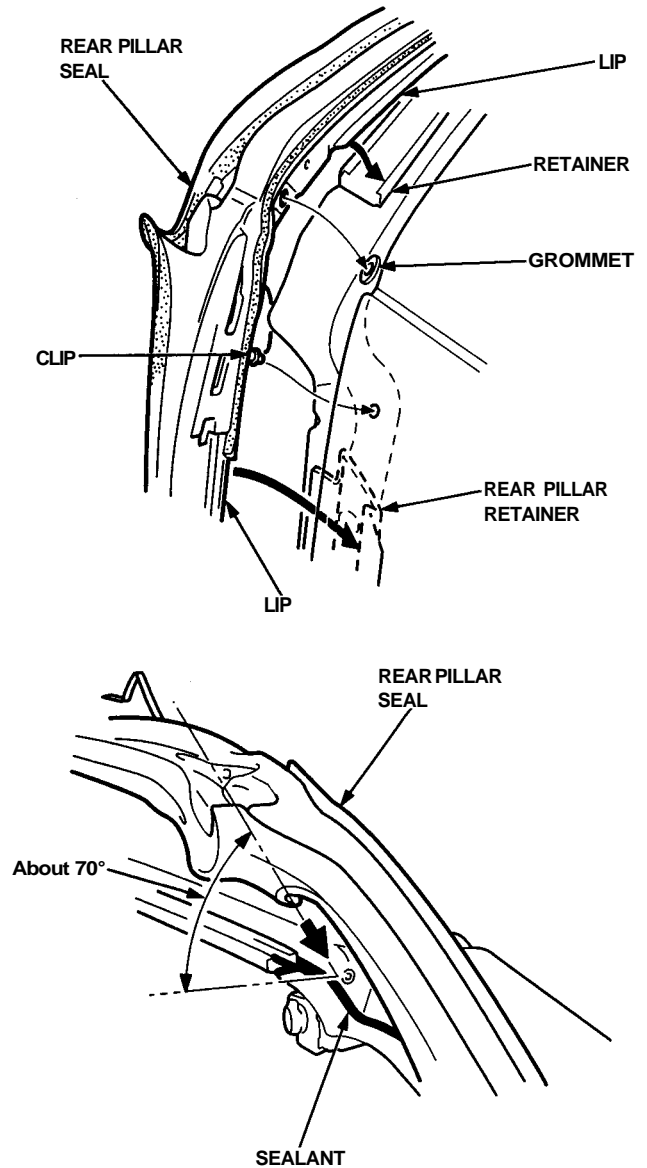
11. Peel the separator off from the butyl tape on the new rear pillar seal.

NOTE: Fold the separator of butyl tape at the roof portion of the rear pillar seal.



12. Align the hole and clip on the rear pillar seal with the grommet and hole on the body, and engage the lips of the rear pillar seal with the groove of the retainers, then gently set each corner of the rear pillar seal down on the sealant as shown.

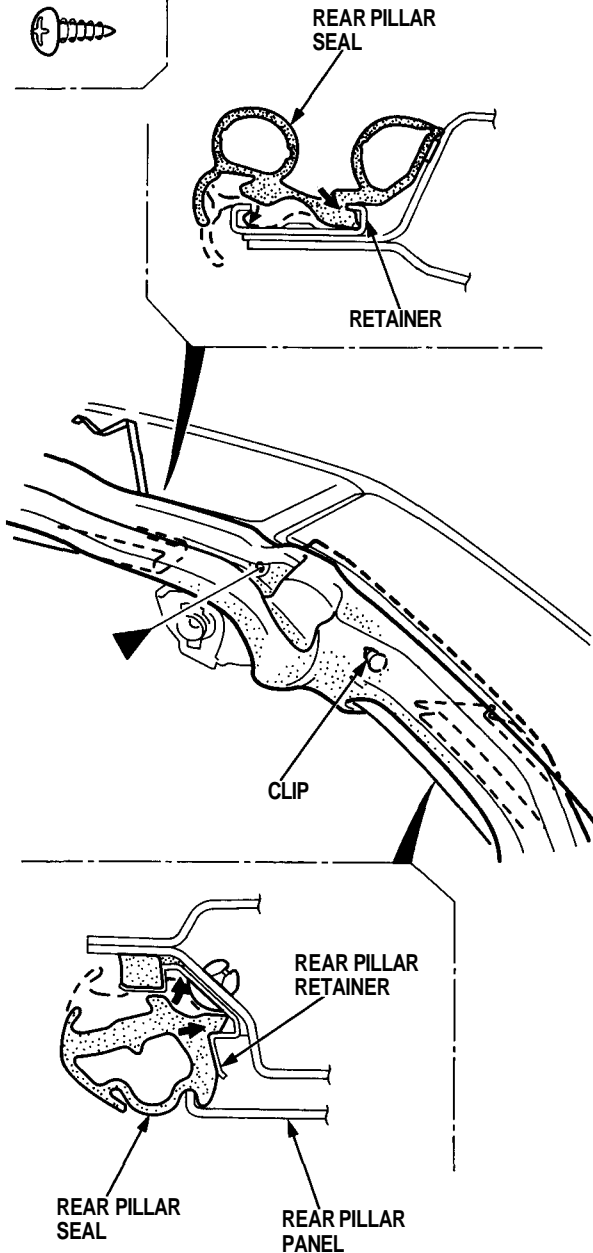
NOTE: Do not press on the seal yet to make the adhesive stick.





NOTE: Install the screw, attach the clip on each side, and install the pillar and roof portions of the rear pillar seal into the retainers about 50 mm (2 in).

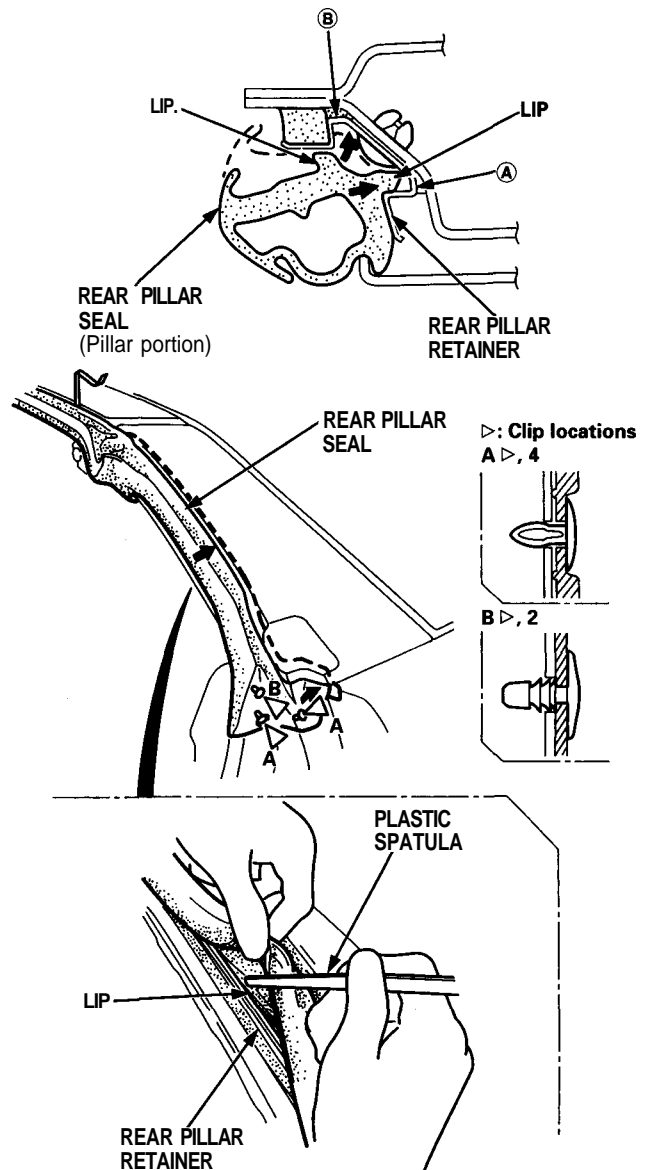
►: Screw locations, 2



13. Install each pillar portion of the rear pillar seal into the rear pillar retainer as shown, then attach the clips.

NOTE:

- Do not press on the seal yet to make the adhesive stick.
- After setting the lip at location (A), install the rear pillar seal while pushing the lip in the rear pillar retainer with a rounded plastic spatula at location (B).



(cont'd)

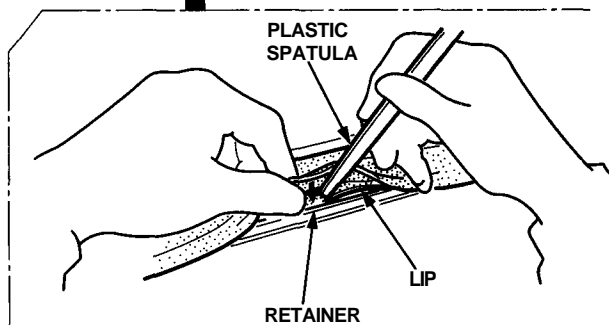
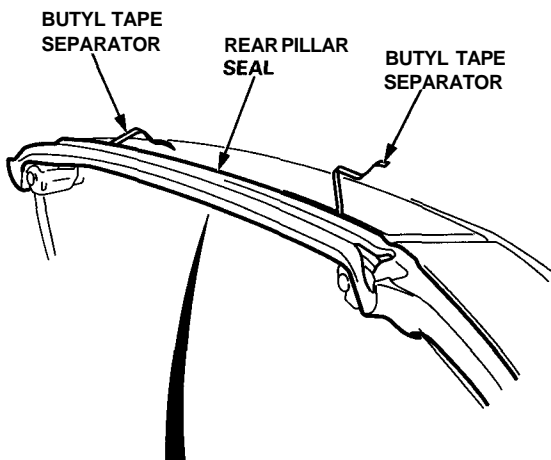
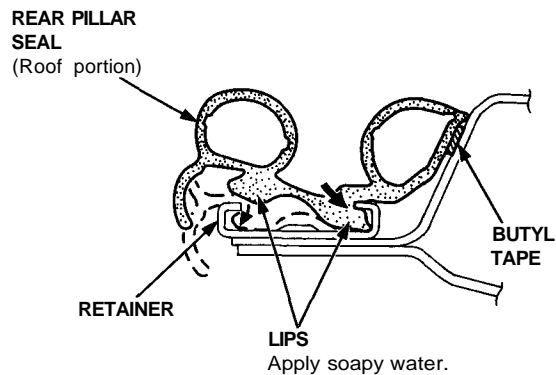
Rear Pillar Seal/Retainer

Replacement (cont'd)

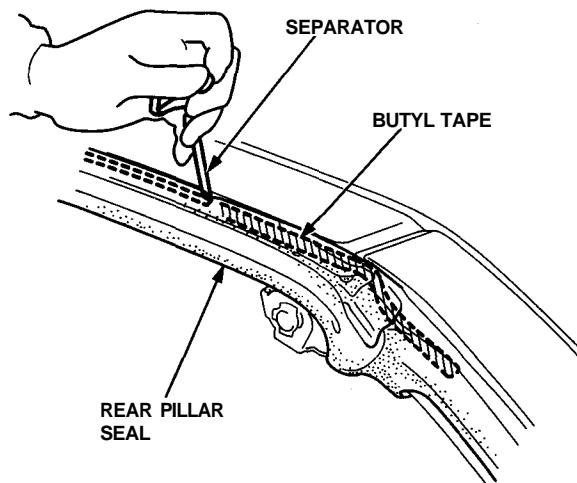
14. Install the roof portion of the rear pillar seal to the retainer on the roof rail.

NOTE:

- Do not press on the seal yet to make the adhesive stick.
- Install the roof portion in the same way as the pillar portion.
- Before installing the roof portion of the rear pillar seal, lubricate the lips with soapy water.

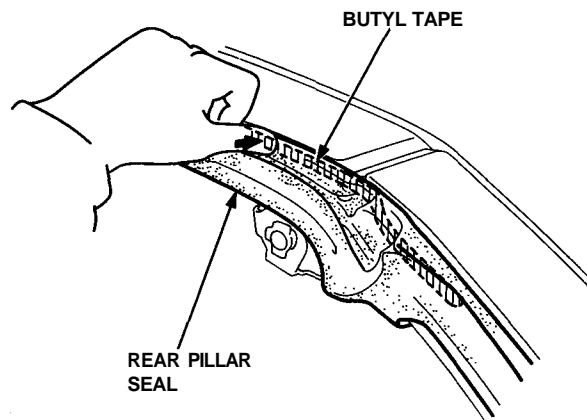


15. Carefully pull the separator away from the butyl tape at the roof portion of the rear pillar seal.



16. Press on the roof portion of the butyl tape to make the adhesive stick.

NOTE: Do not press on the rear pillar portion of the seal yet.





17. Scrap or wipe the excess sealant off with a putty knife or towel.

NOTE: To remove sealant from a painted surface or the rear pillar seal, wipe with a soft shop towel dampened with alcohol.

18. Let the sealant dry for at least three hours after rear pillar seal installation.
19. Install the roof on the body, then check that the seals fit flush (see page [20-107](#)).
If necessary, align the roof side seal by adjusting the roof side lock unit (see page [20-106](#)).
When you are satisfied that the seal fits properly, press on the rear pillar portion to make the adhesive stick.
20. Check that each door glass contacts the seals evenly (see page [20-109](#)).
21. Check for water leaks (see page [20-110](#)).
22. Remove the roof, then reinstall all remaining removed parts.