

# Front Pillar Seal/Retainer

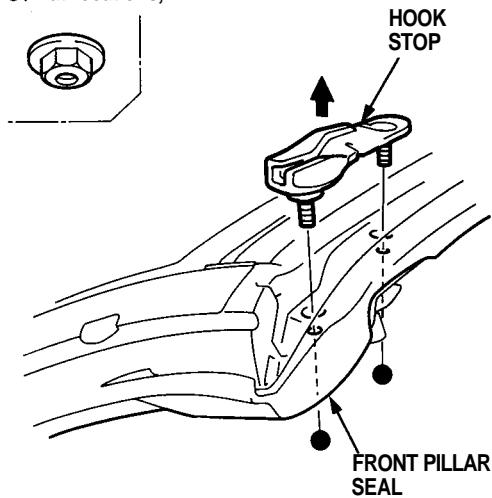
## Replacement

NOTE:

- When the front pillar seal has been removed, and or it is damaged, replace it with new one.
- Have an assistant help replace the front pillar seal.

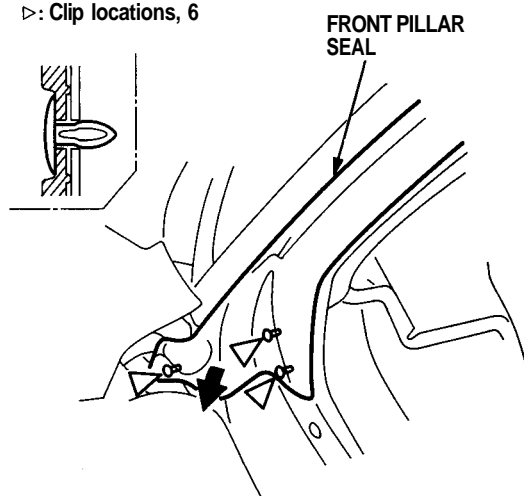
1. Remove the roof.
2. Remove the front roof rail trim (see page 20-79).
3. Remove the hook stop from each side.

●: Nut locations, 4



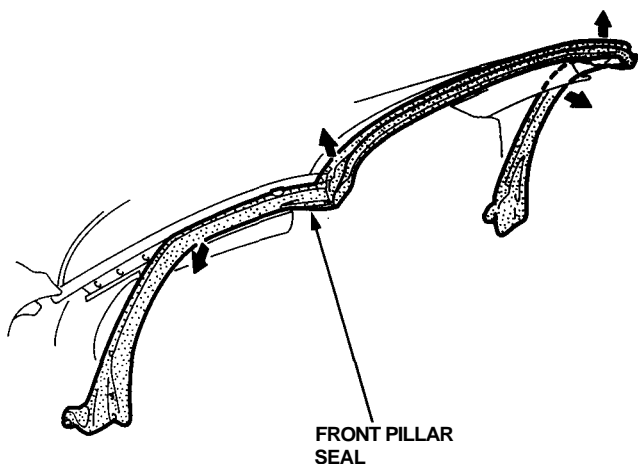
4. Detach the clips from the bottom of both front pillars.

▷: Clip locations, 6





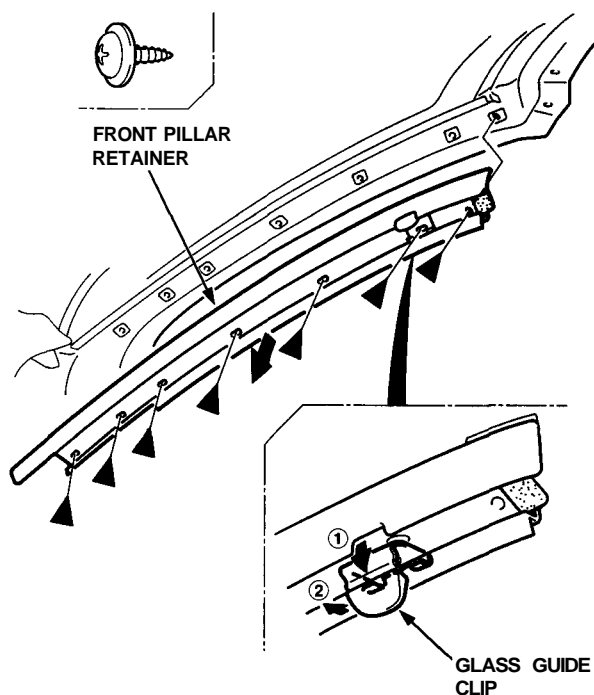
5. Remove the front pillar seal.



6. Remove the screws, then remove the front pillar retainer.

NOTE: If necessary, remove the glass guide clip from the front pillar retainer.

►: Screw locations, 7



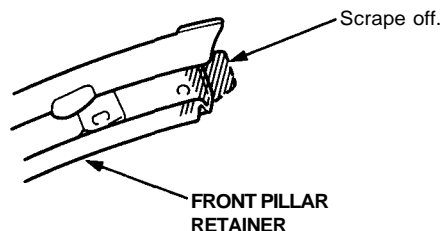
7. Scrape the old sealant from the body bonding surface with a putty knife.

NOTE: Do not scrape down to the painted surfaces of the body.

8. Clean the body bonding surface with a sponge dampened in alcohol.

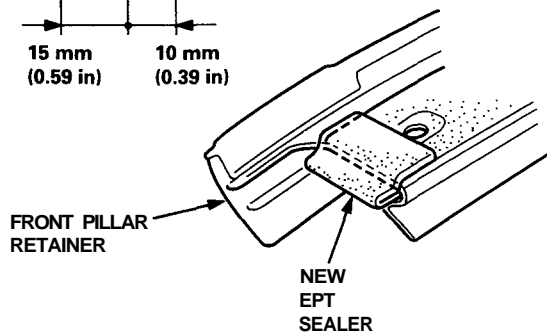
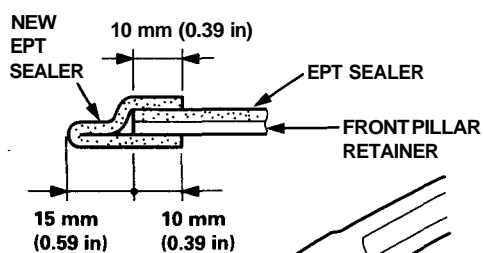
NOTE: After cleaning, keep oil, grease and water from getting on the surface.

9. If the old front pillar retainer is to be reinstalled, use a putty knife to scrape off all of the old sealant and the EPT sealer as shown, then clean the front pillar retainer surface with alcohol where new sealant and EPT sealer are to be applied.



10. Glue the new EPT sealer to top edge of the front pillar retainer as shown.

EPT sealer thickness: 5 mm (0.2 in)



(cont'd)

# Front Pillar Seal/Retainer

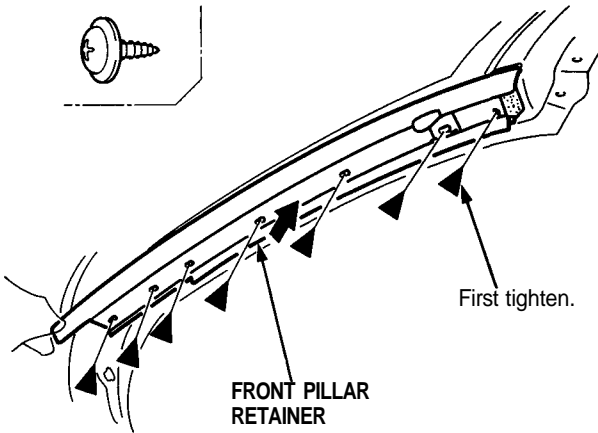
## Replacement (cont'd)

11. Install the front pillar retainer.

**NOTE:**

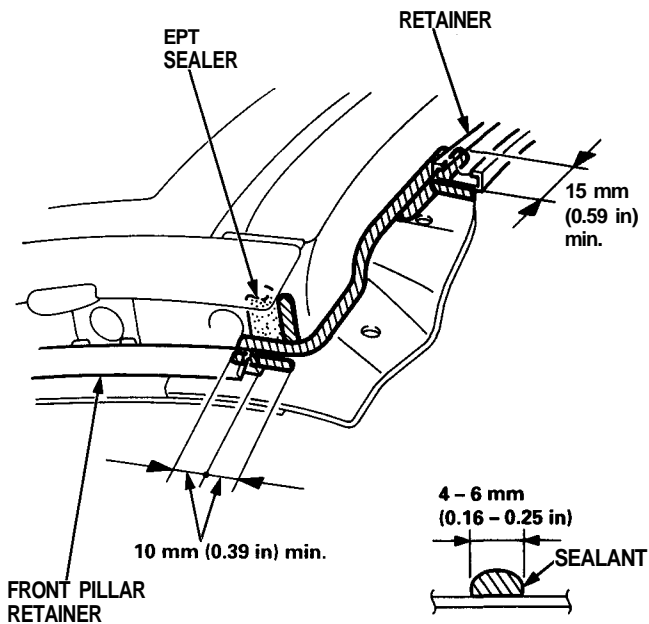
- Be careful not to touch the front pillar retainer where sealant will be applied.
- First tighten the screw at top of the front pillar retainer.

►: Screw locations, 7



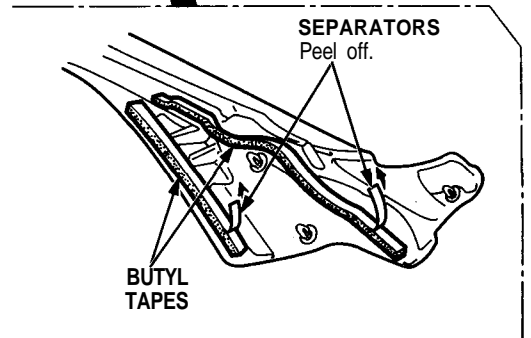
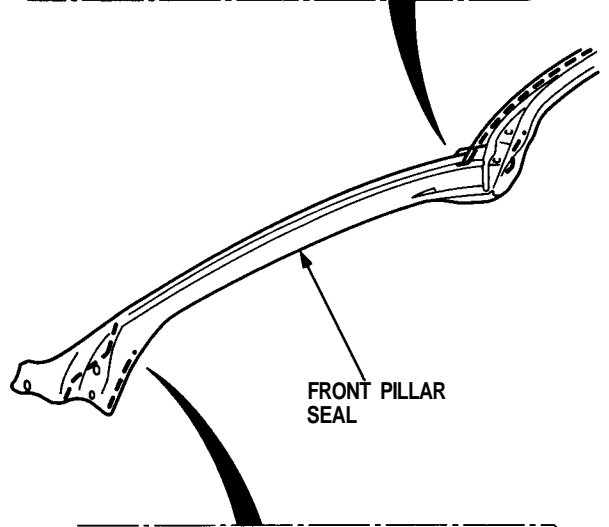
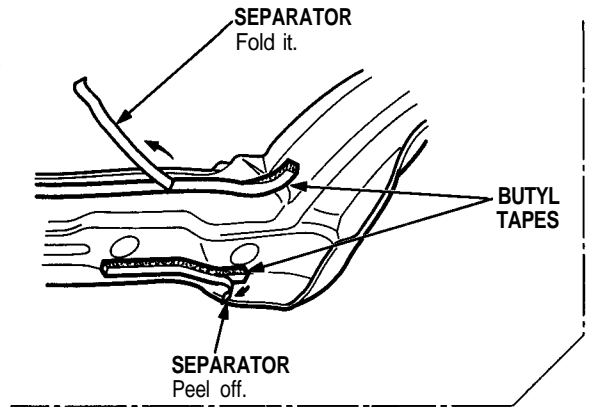
12. Apply new sealant to the body and retainers on each side as shown.

 : Sealant locations  
(Cemedine P/N 08712 - 0004, or equivalent)



13. Peel the separator off from the butyl tapes on the new front pillar seal.

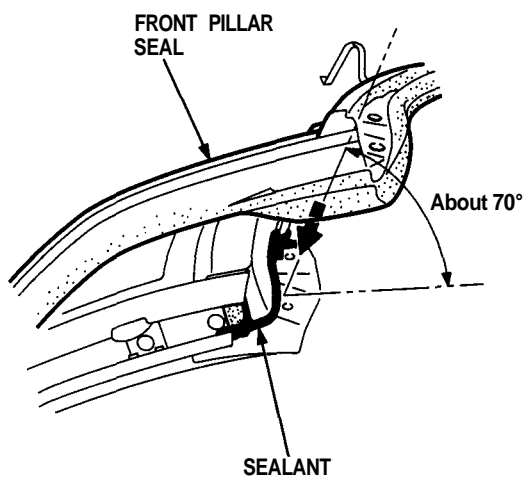
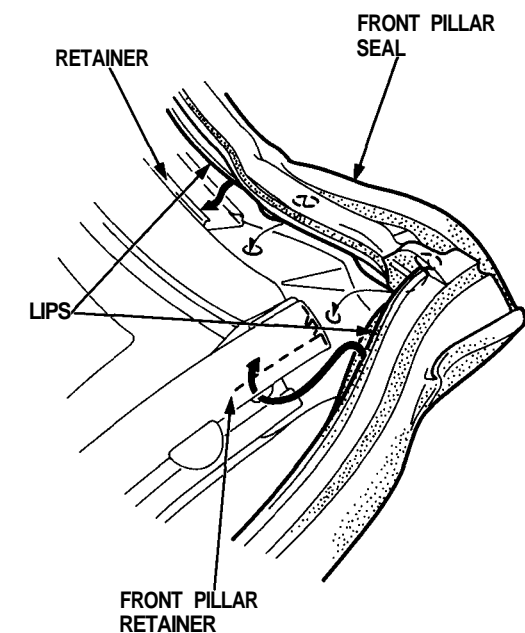
**NOTE:** Fold the separator of the butyl tape at the roof portion of the front pillar seal.



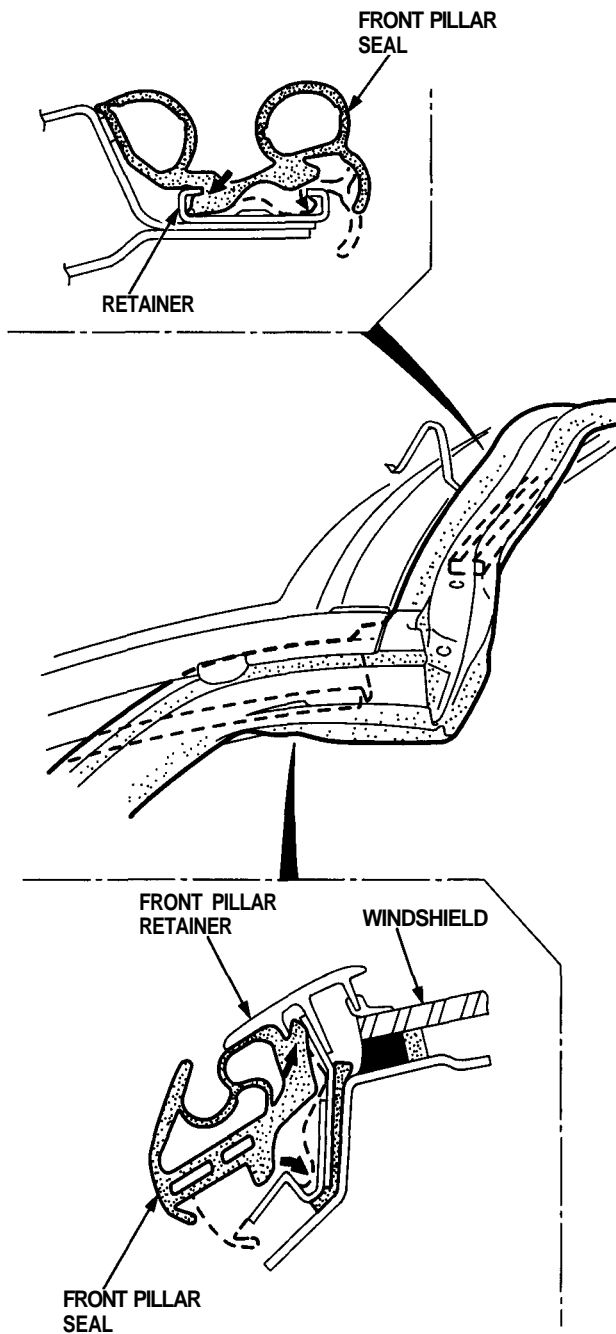


14. Align the holes on the front pillar seal with the holes on the body, and engage the lips of the front pillar seal with the groove of the retainers, then gently set each corner of the front pillar seal down on the sealant as shown.

NOTE: Do not press on the seal yet to make the adhesive stick.



NOTE: Install the pillar and roof portions of the front pillar seal into the retainers about 50 mm (2 in).



(cont'd)

# Front Pillar Seal/Retainer

## Replacement (cont'd)

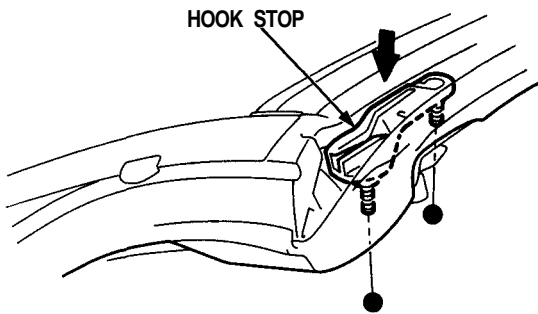
15. Install the hook stop on each side.

NOTE: Do not press on the seal yet to make the adhesive stick.

●: Nut locations, 4



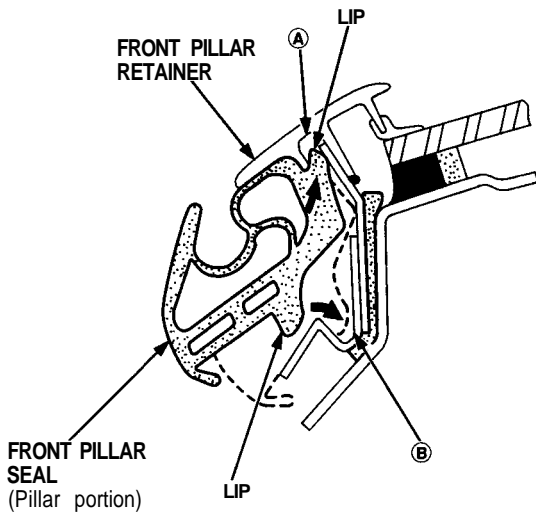
6 x 1.0 mm  
11 N-m (1.1 kg-m,  
8 lb-ft)



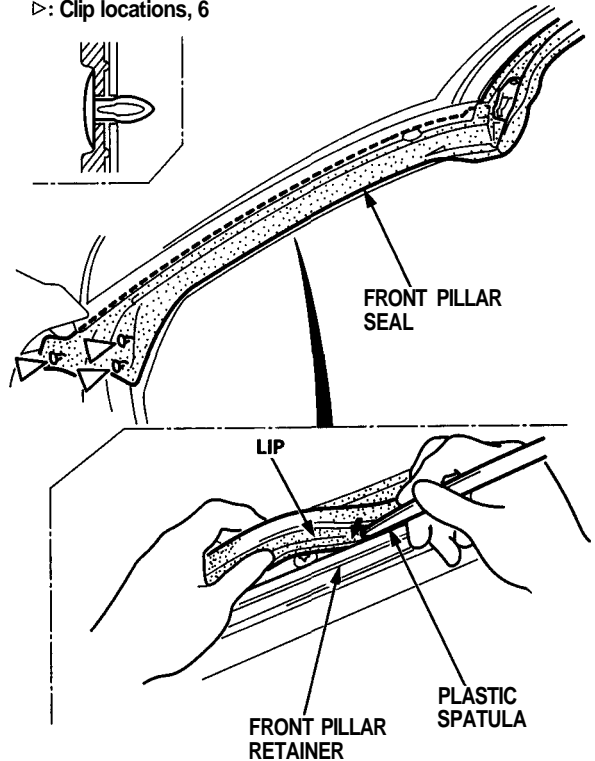
16. Install each pillar portion of the front pillar seal into the front pillar retainer as shown, then attach the clips.

NOTE:

- Do not press on the seal yet to make the adhesive stick.
- After setting the lip at location (A), install the front pillar seal while pushing the lip in the front pillar retainer with a rounded plastic spatula at location (B).



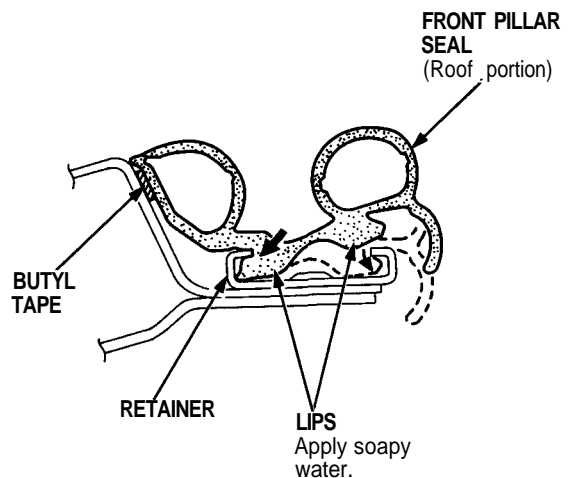
▷: Clip locations, 6

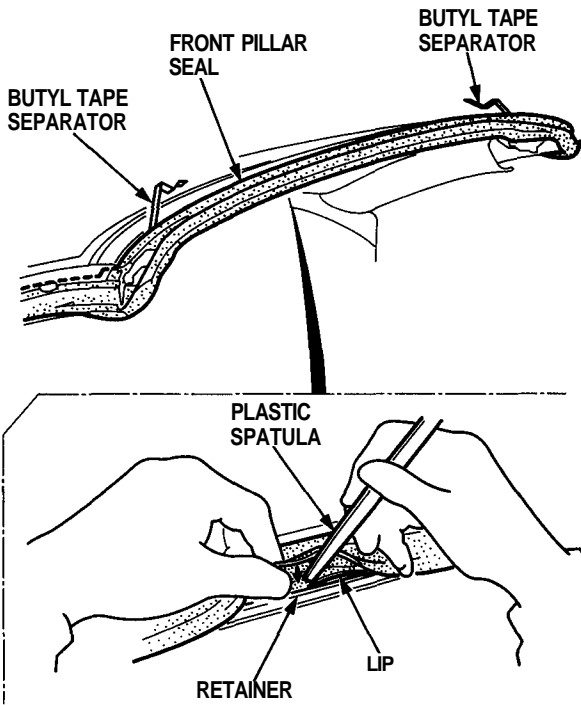


17. Install the roof portion of the front pillar seal into the retainer on the roof rail.

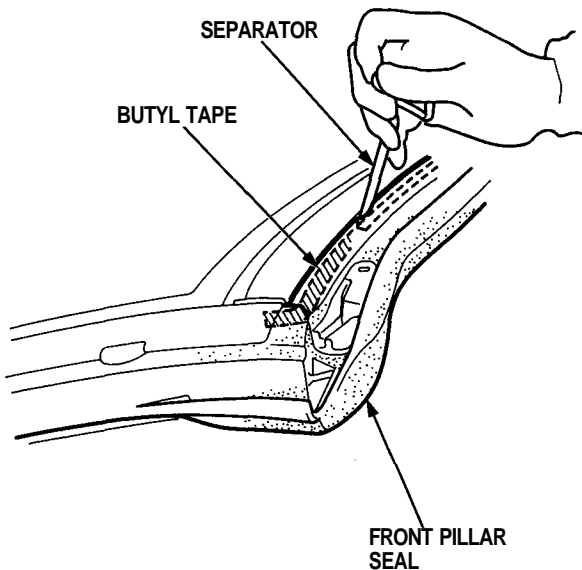
NOTE:

- Do not press on the seal yet to make the adhesive stick.
- Install the roof portion in the same way as the pillar portion.
- Before installing the roof portion of the front pillar seal, lubricate the lips with soapy water.



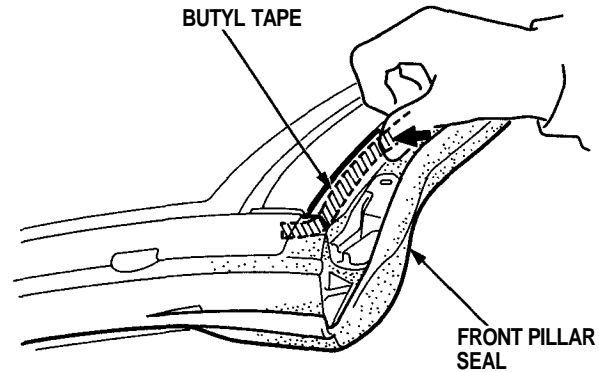


18. Carefully pull the separator away from the butyl tape at the roof portion of the front pillar seal.



19. Press on the roof portion of the butyl tape to make the adhesive stick.

NOTE: Do not press on the front pillar seal portion of the seal yet.

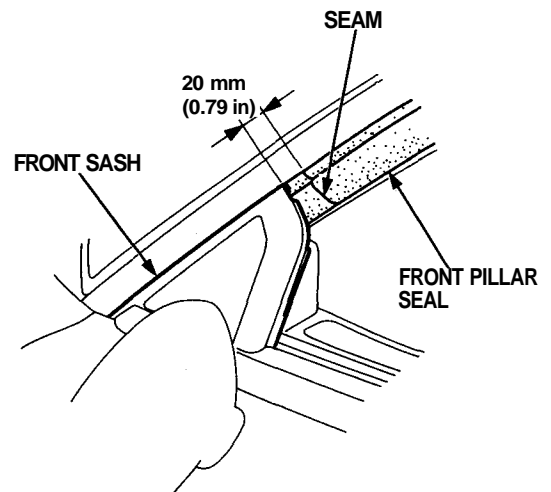


20. Scrap or wipe the excess sealant off with a putty knife or towel.

NOTE: To remove sealant from a painted surface or the front pillar seal, wipe with a soft shop towel dampened with alcohol.

21. Close the doors, then check that there is about 20 mm (0.79 in) between the top edge of the front sash and the seam on the front pillar seal on each side. Adjust the seal as needed, then press on the front pillar portion of the butyl tape to make the adhesive stick.

NOTE: Do not raise the door glass.



(cont'd)

# Front Pillar Seal/Retainer

## Replacement (cont'd)

22. Let the sealant dry for at least three hours after installing the front pillar seal.
23. Install the roof on the body, then check that the seals fit flush (see page [20-107](#)).

NOTE: If necessary, align the roof side seal by adjusting the roof side lock unit (see page [20-106](#)).

24. Check that each door glass contact the seals evenly (see page [20-109](#)).
25. Check for water leaks (see page [20-110](#)).
26. Remove the roof, then reinstall all remaining removed parts.