

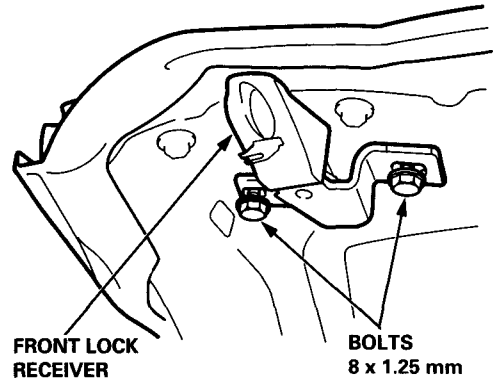
# Roof

## Lock Receivers Adjustment

NOTE: This adjustment should be done in the following order after removing or replacing the lock receiver.

1. Loosen the lock receiver mounting bolts at each of the four corners, then tighten them lightly.

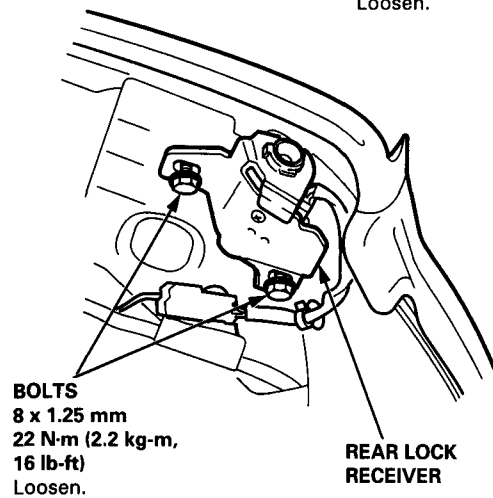
**Front:**



**FRONT LOCK  
RECEIVER**

**BOLTS**  
8 x 1.25 mm  
22 N·m (2.2 kg-m,  
16 lb-ft)  
Loosen.

**Rear:**



**BOLTS**  
8 x 1.25 mm  
22 N·m (2.2 kg-m,  
16 lb-ft)  
Loosen.

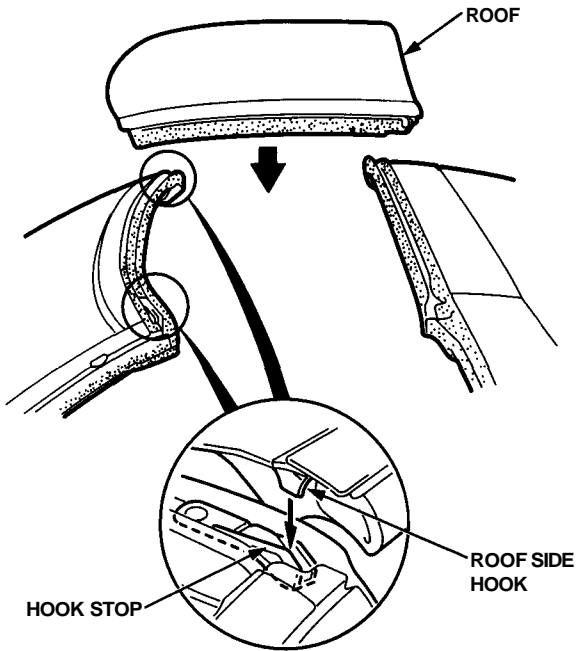
**REAR LOCK  
RECEIVER**

2. Install the roof on the body.

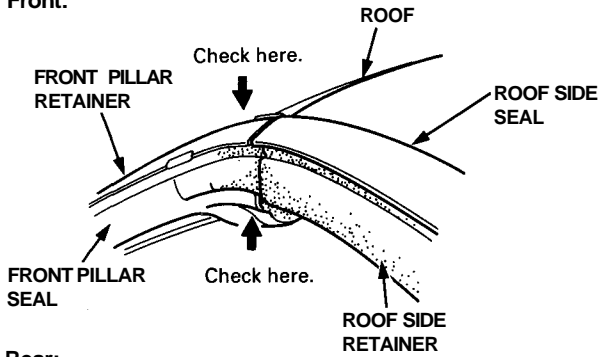
**CAUTION:** When installing the roof, make sure both roof side locks are unlocked.

NOTE:

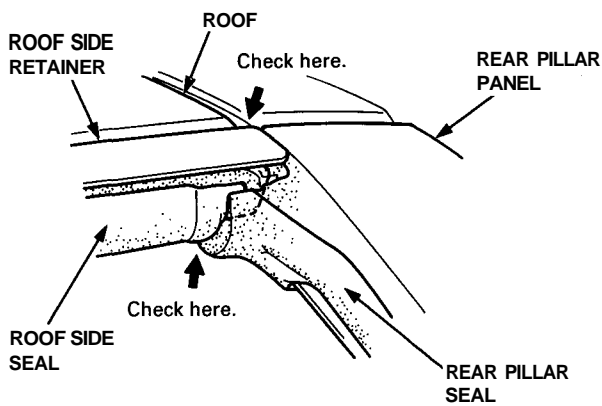
- Make sure each roof side hook aligns with the hook stop properly.
- Before securing the roof by turning each roof side lock handle, check that the roof side retainer aligns against the front pillar retainer and rear pillar panel evenly at each side, and check that the seals fit flush.



Front:



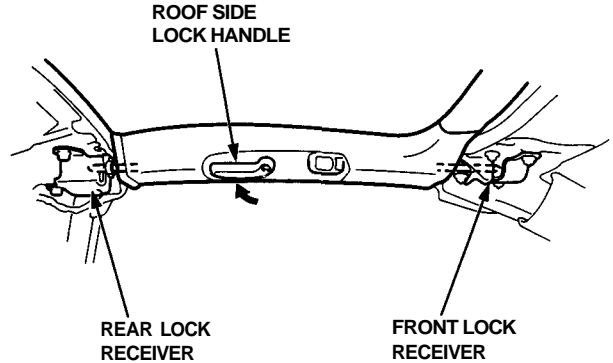
Rear:



NOTE: The seals should fit flush.

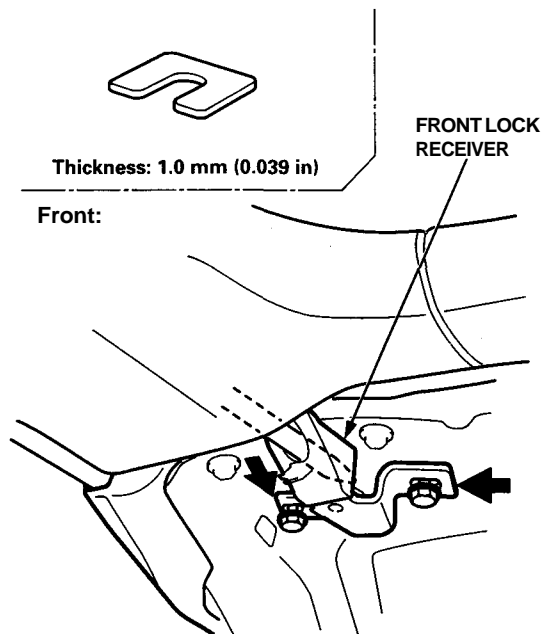
- Secure the roof by turning both roof side lock handles. Make sure they are locked securely.

NOTE: Turn each roof side lock handle until a faint click is heard.



- Tighten the lock receiver mounting bolts at each of the four corners.
- Check that the seals fit flush.
- Check the height of the roof with the body. If necessary, loosen the lock receiver mounting bolts, then adjust the height of the roof to make the roof fit flush with the body by using shims.

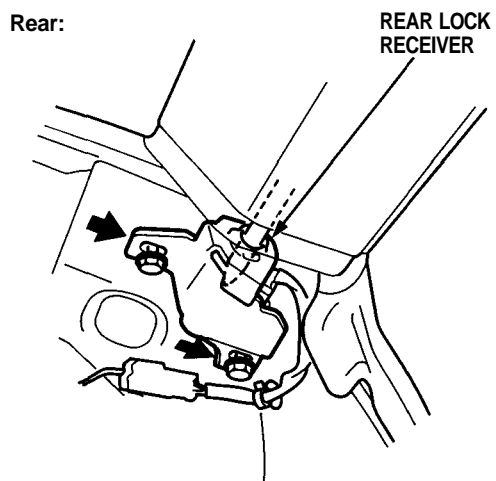
➡ : Shim locations



(cont'd)

# Roof

## Lock Receivers Adjustment (cont'd)



7. Tighten the lock receiver mounting bolts.
8. Check that each roof side lock handle works smoothly.
9. Remove the roof.
10. Reinstall all remaining removed parts.