



## Roof Side Lock Replacement

**CAUTION:** To prevent damage, place the roof on an appropriate pad.

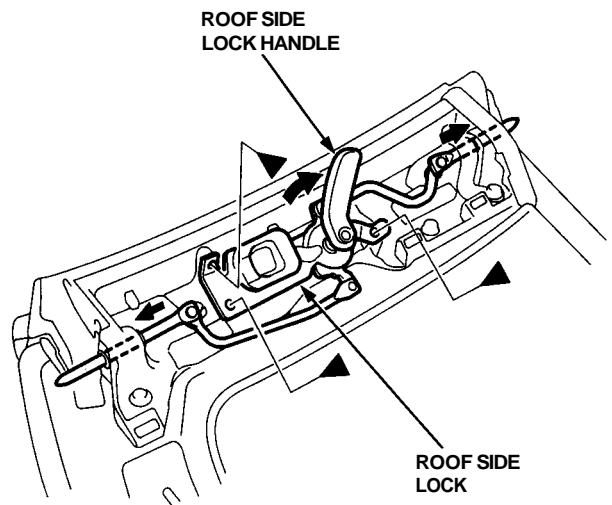
1. Remove the roof.
2. Remove the roof front trim and roof side trim (see page 20-82).
3. Install the roof side lock handle.
4. Turn the roof side lock handle, then remove the screws.

►: Screw locations, 3



5 x 0.8 mm  
5 N-m (0.5 kg-m,  
3.6 lb-ft)

Apply liquid thread lock.



5. Return the roof side lock handle to the unlocked position, then remove it.

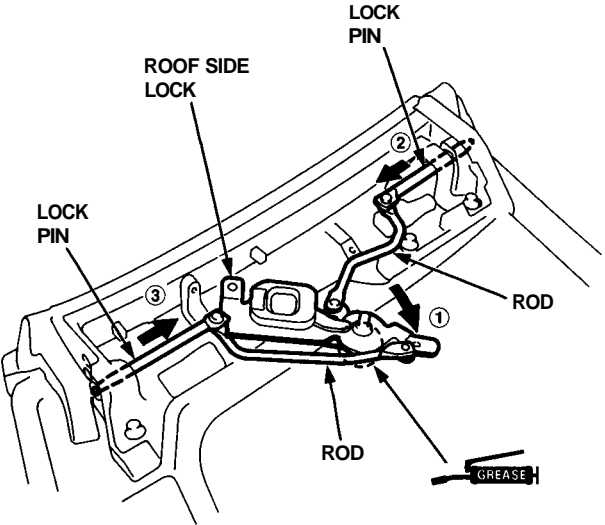
(cont'd)

# Roof

## Roof Side Lock Replacement (cont'd)

- 6. Move the roof side lock, then pull the lock pins out and remove the lock.

NOTE: Take care not to bend the rods and lock pins.



- 7. Installation is the reverse of the removal procedure.

NOTE:

- Grease the location indicated by the arrow and the lock pins.
- Make sure the roof side lock works smoothly.