



# Roof Rail Trim, Front and Rear

## Replacement

### CAUTION:

- Wear gloves to remove and install the trim.
- When prying with a flat tip screwdriver, wrap it with protective tape to prevent damage.

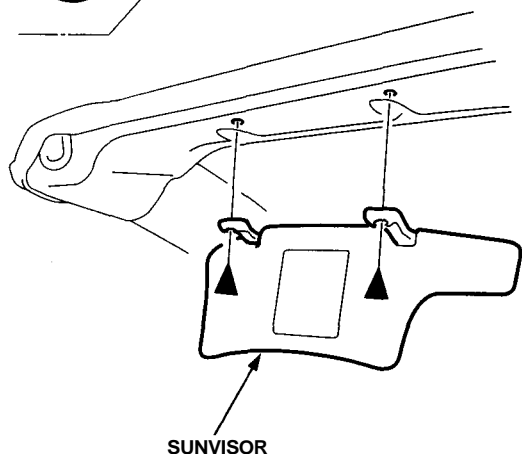
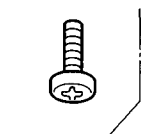
### NOTE:

- Take care not to scratch the trim.
- Remove the roof.

### Front roof rail trim:

1. Remove the sunvisor from each side.

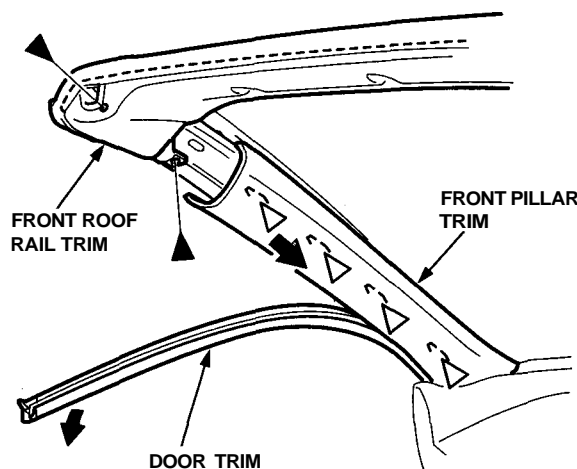
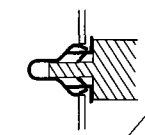
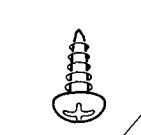
►: Screw location, 4



2. Pull away the door trim, then lower the front pillar trim by detaching the clips from each side. Then remove the screws.

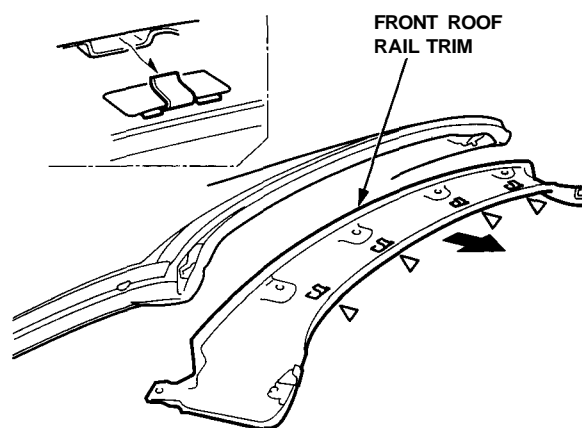
►: Screw locations, 4

▷: Clip locations, 8



3. Remove the front roof rail trim by sliding it rearward.

▷: Hook locations, 4



4. Installation is the reverse of the removal procedure.

### NOTE:

- If necessary, replace any damaged clips.
- Make sure the door trim is installed securely.

(cont'd)

# Roof Rail Trim, Front and Rear

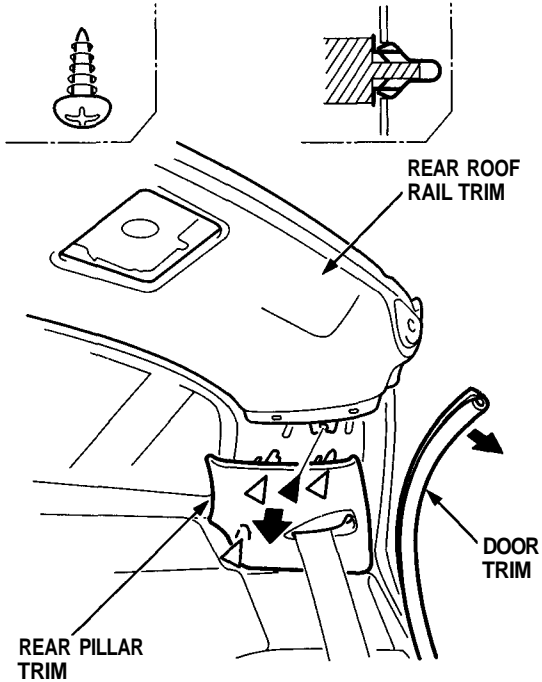
## Replacement (cont'd)

### Rear roof rail trim:

1. Remove the ceiling light (see [section 23](#)).
2. Pull away the door trim, then lower the rear pillar trim by detaching the clips from each side. Then remove the screws.

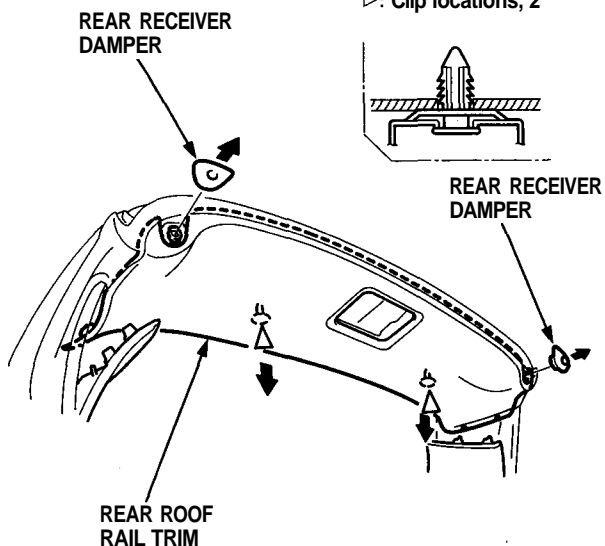
►: Screw locations, 2

▷: Clip locations, 6



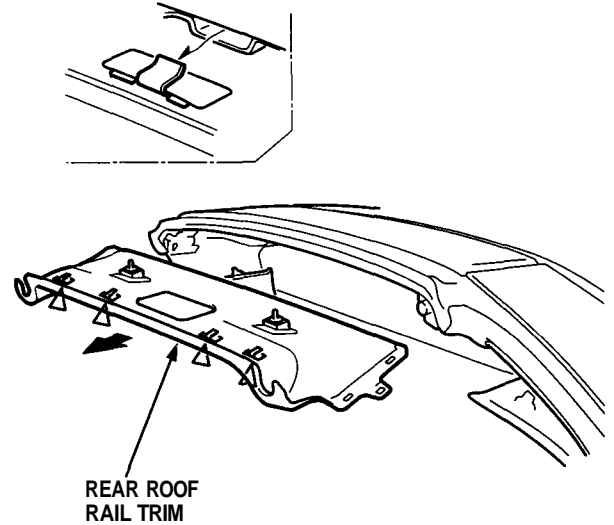
3. Detach the clips, and remove the rear receiver damper from each side.

▷: Clip locations, 2



4. Remove the rear roof rail trim by sliding it forward.

▷: Hook locations, 4



5. Installation is the reverse of the removal procedure.

### NOTE:

- If necessary, replace any damaged clips.
- Make sure the door trim is installed securely.