



## Replacement

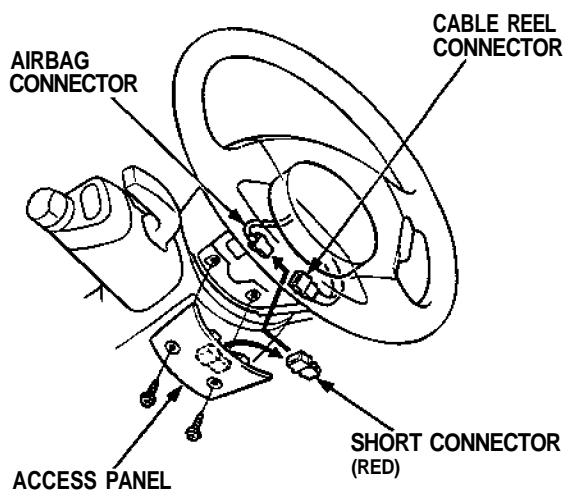
SRS components are located in this area. Review the SRS component locations, precautions, and procedures in the SRS [section \(24\)](#) before performing repairs or service.

1. To remove the dashboard, first remove the:
  - Seats (see page [20-39 \('93-'96\)](#), [38](#))
  - Dashboard lower cover (Driver's) (see page [20-54\('94-'96\)](#) ('91-'93))
  - Dashboard lower pad (see page [20-54\('94-'96\)](#) ('91-'93))
  - Dashboard brace (see page [20-54\('94-'96\)](#) ('91-'93))
  - Center armrest (see page [20-49\('94-'96\)](#) ('91-'93))
  - Clock, center air vent and console panel (see pages [20-50\('94-'96\)](#) ('91-'93), [51\('94-'96\)](#) ('91-'93) [52\('94-'96\)](#) ('91-'93))
  - Climate control unit and stereo cassette/ratio (see page [20-53\('94-'96\)](#) ('91-'93))
  - Dashboard lower cover (Passenger's) (see page [20-53\('94-'96\)](#) ('91-'93))
  - Glove box lid and glove box (see page [20-53\('94-'96\)](#) ('91-'93))
2. Lower the Steering column (see [section 17](#)).

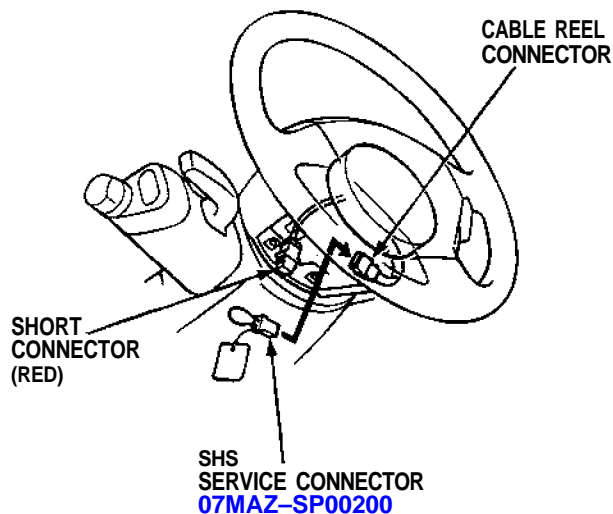
**⚠ WARNING** To avoid accidental deployment and possible injury always install the short connector on the airbag connector when the SRS wire harness is disconnected.

### NOTE:

- Remove the access panel, then remove the short connector (RED). Disconnect the connector between the airbag and cable reel, then connect the short connector (RED) to the airbag connector.



- Connect the special tool to the cable reel connector.



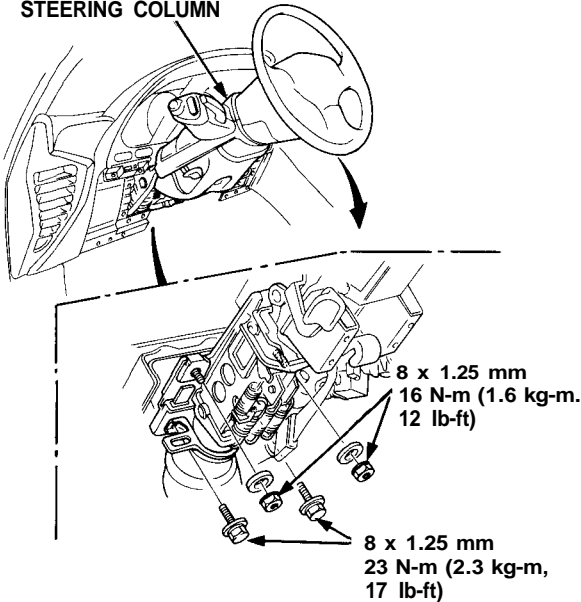
(cont'd)

# Dashboard

## Replacement (cont'd)

NOTE: To prevent damage to the steering column, wrap it with a shop towel.

### STEERING COLUMN

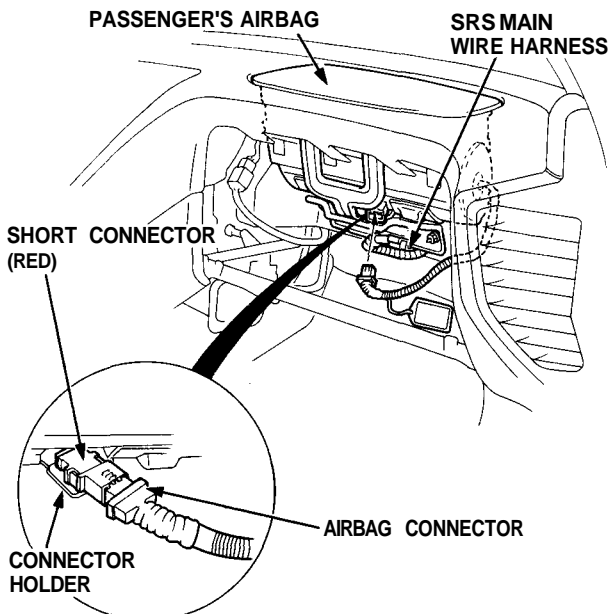


- Remove the nuts, then remove the airbag bracket (passenger's).

**⚠ WARNING** To avoid accidental deployment and possible injury always install the short connector on the airbag connector when the SRS wire harness is disconnected.

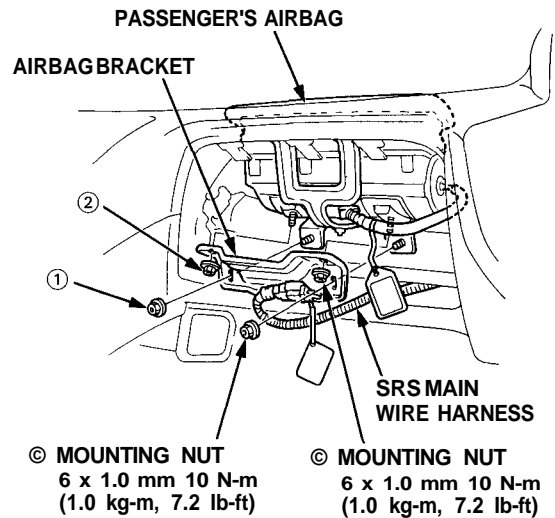
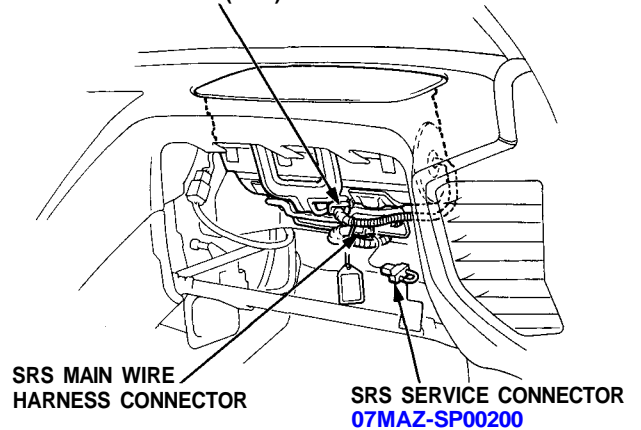
### NOTE:

- Disconnect the connector between the passenger's airbag and SRS main wire harness. Connect the short connector (RED) to the airbag the connector.



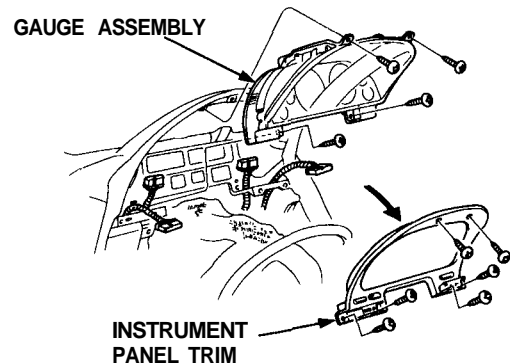
- Connect the special tool to the SRS main wire harness connector.

### PASSENGER'S AIRBAG CONNECTOR/ SHORT CONNECTOR (RED)



- When installing the airbag bracket, tighten the mounting nuts in the numbered sequence.

- Remove the instrument panel trim and gauge assembly.





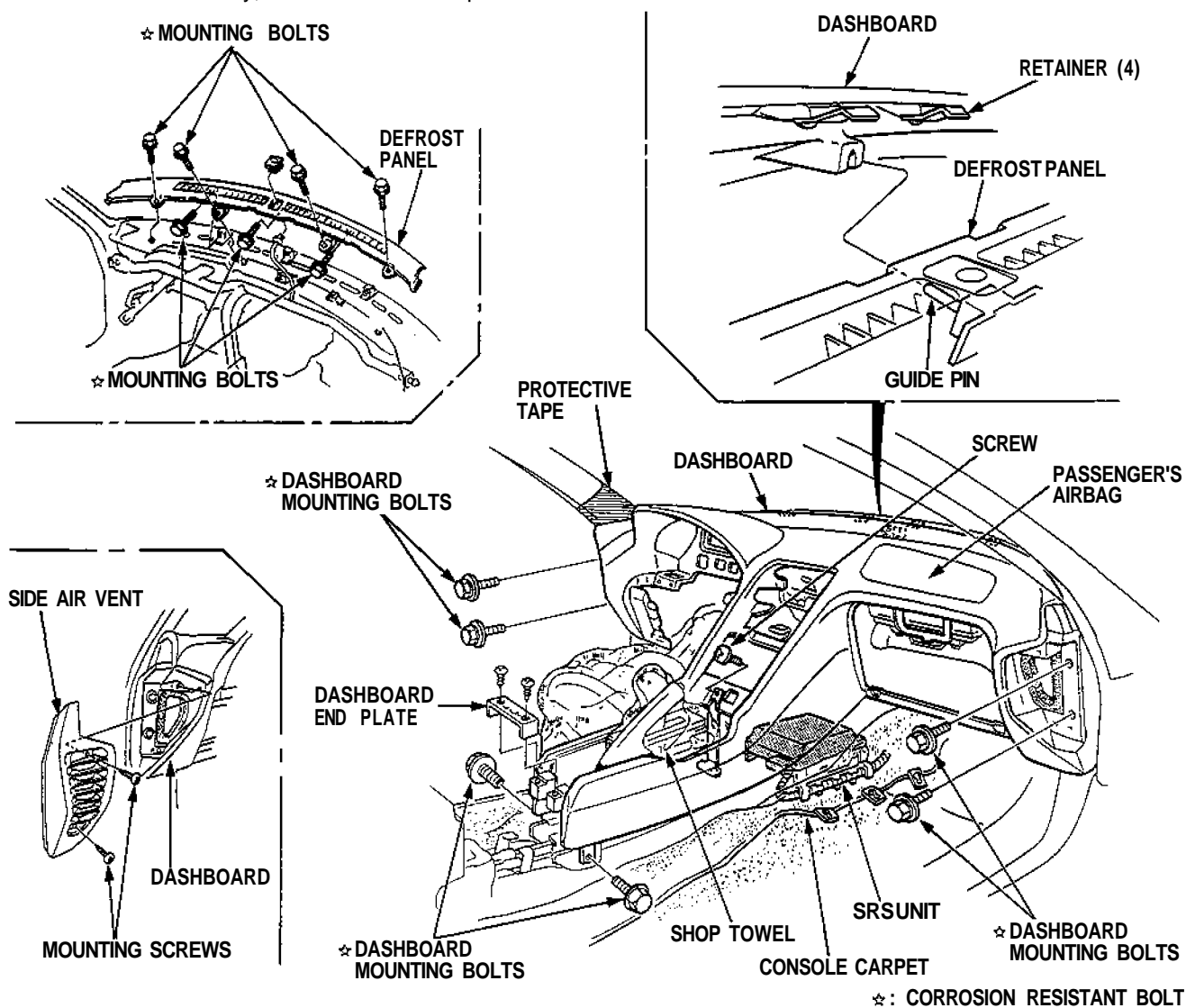
5. Remove the mounting screws, then remove the side air vents from each side of the dashboard.
6. Remove the dashboard end plate, and fold the console carpet down (see page 20-47('94-'96) ('91-'93)).
7. Remove the dashboard mounting bolts and screw, then lift and remove the dashboard.

NOTE:

- Take care not to scratch the dashboard.
- Use protective tape on the bottom of the front pillar trim.
- To prevent damage to the shift lever and indicator panel (A/T), wrap them with a shop towel.

**CAUTION:** When prying with a flat tip screwdriver, wrap it with protective tape or a shop towel to prevent damage.

NOTE: If necessary, remove the defrost panel.



8. Installation is the reverse of the removal procedure.

NOTE:

- Make sure the dashboard fits onto the guide pin and defrost panel correctly.
- Before tightening the mounting bolts, make sure the wire harnesses are not pinched.