

# Seats

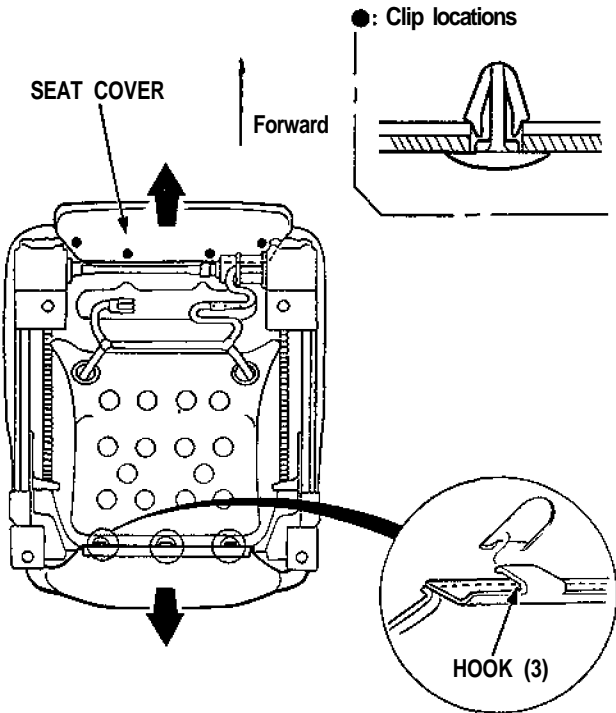
## Seat Cover Replacement

**CAUTION:** Wear gloves to remove and install the seat cover.

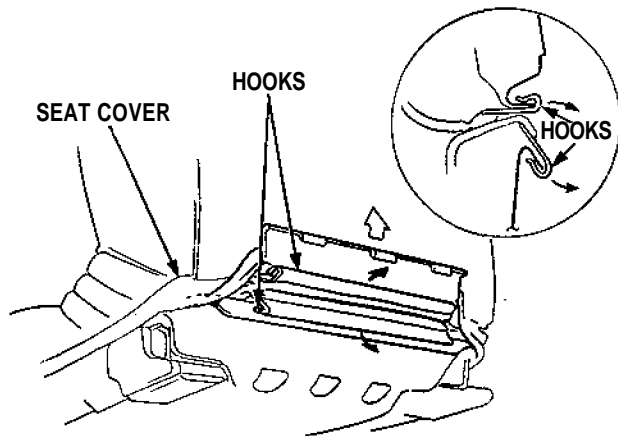
**NOTE:**

- Take care not to tear the seams or damage the cover.
- Remove the power seat switch (see page 20-39) and seat belt buckle (see page 20-43 ('93-'96) ('91-'92)) from the seat.

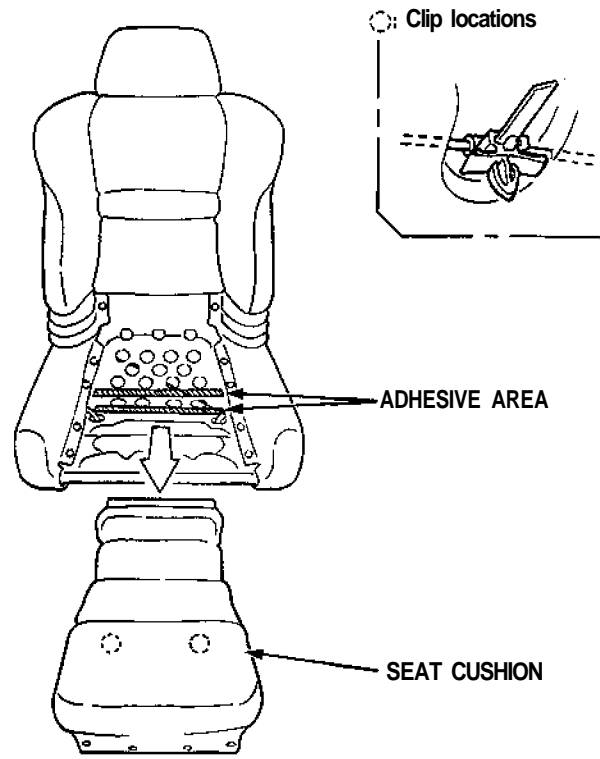
1. Detach the clips and hooks from under the seat. Pull the seat cover back.



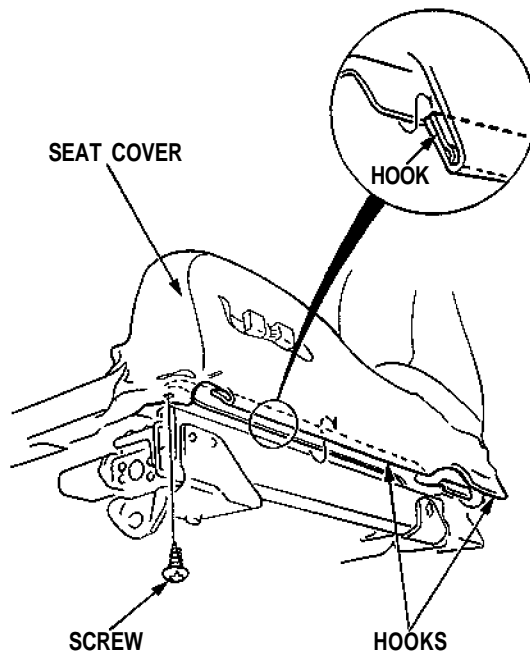
2. Detach the hooks while pulling the seat cover back.



3. Detach the clips from under the seat, then remove the seat cushion.



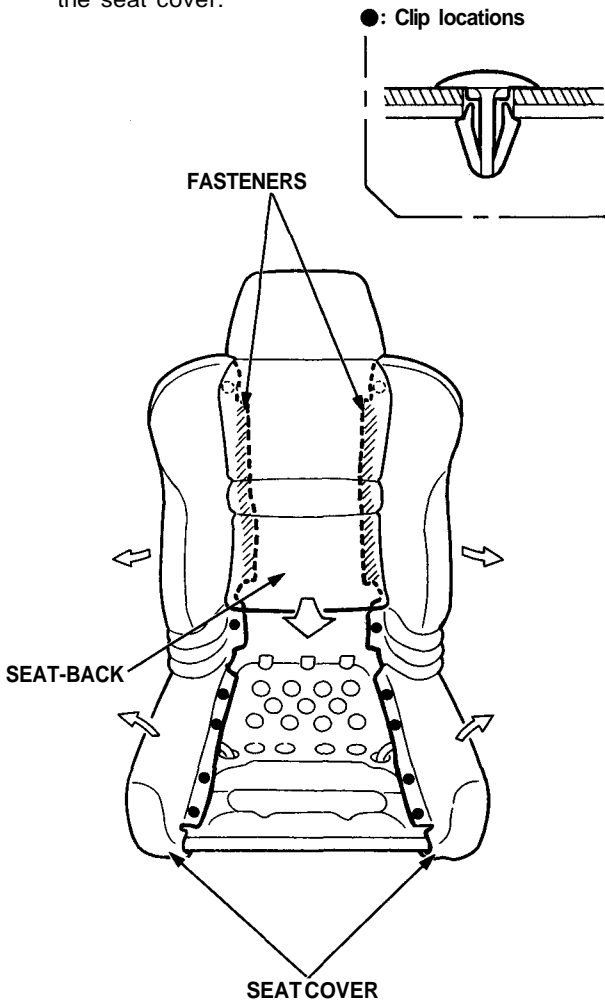
4. Remove the seat belt buckle (see page 20-43 ('93-'96) ('91-'92)). Detach the hooks at both sides of the seat. Remove the screws at both front edges.



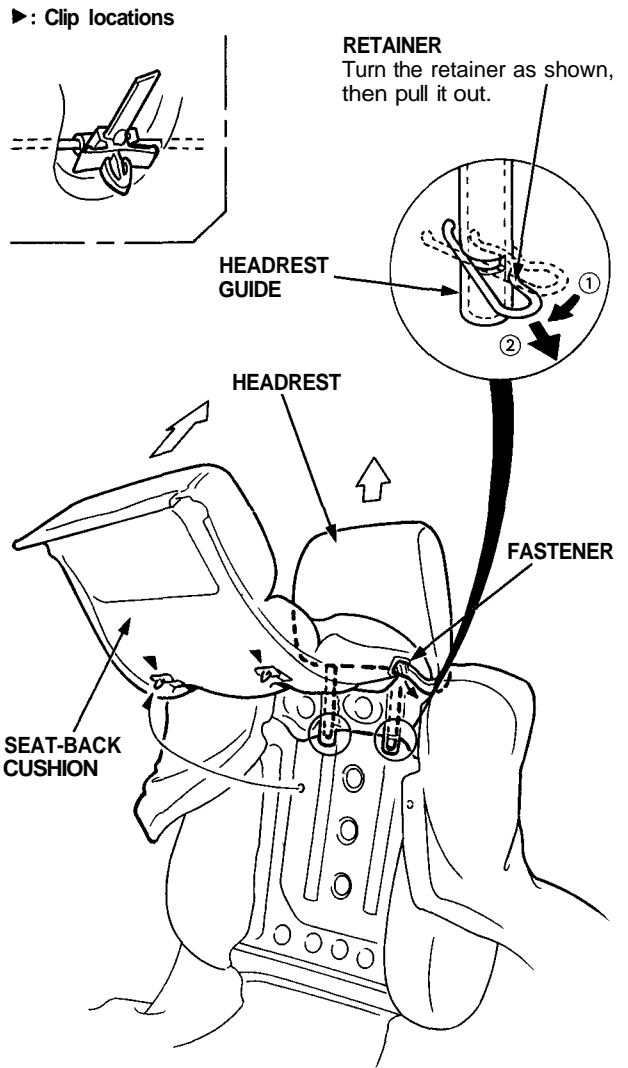


5. Detach the clips, then pull the seat cover back. Remove the fasteners by pulling the seat-back cushion.

NOTE: Take care not to tear the seams or damage the seat cover.



6. Detach the clips from the seat-back, then pull the seat-back cushion up as shown. Remove the retainers, then remove the headrest by pulling it up. Remove the fastener on the left side.



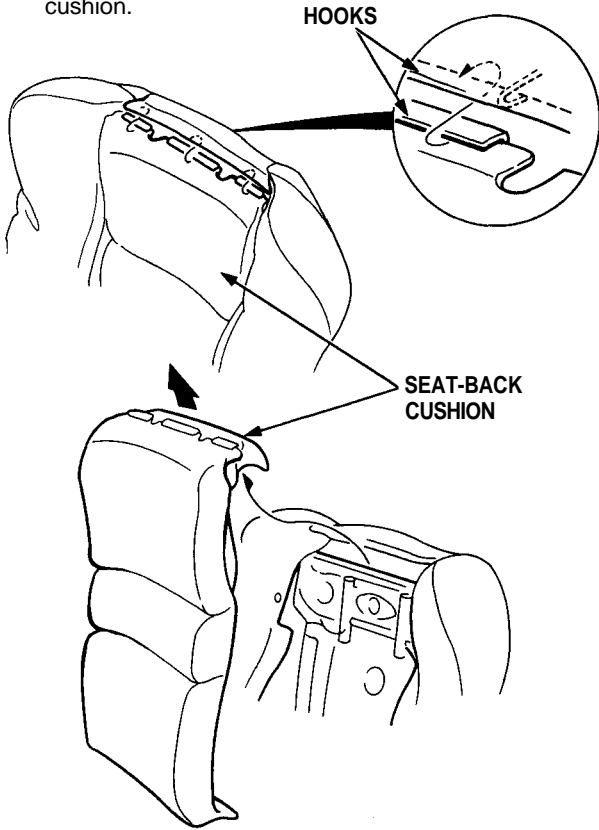
NOTE: When installing the headrest, first install the retainers to the headrest guides.

(cont'd)

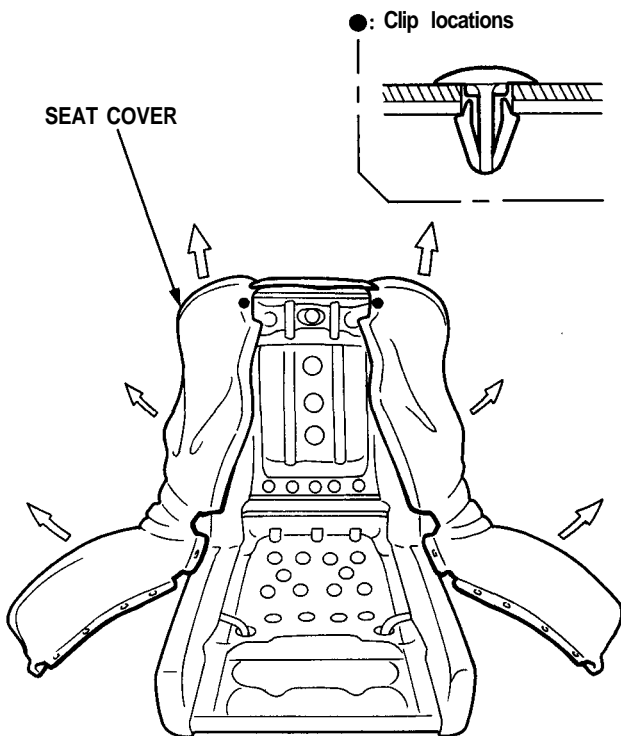
# Seats

## Seat Cover Replacement (cont'd)

7. Detach the hooks, then remove the seat-back cushion.



8. Detach the clips, then remove the seat cover.



9. Installation is the reverse of the removal procedure.

### NOTE:

- To prevent wrinkles when installing the seat cover, make sure the material is stretched evenly over the frame before securing all the hooks and clips.
- If necessary, replace any damaged clips.
- Before installing the seat cushion, scrape the old adhesive smoothly from the seat cushion frame. Clean the bonding surface with a sponge dampened in alcohol. Apply an adhesive to the shadowed area as shown.

