

Headliner/Interior Trim

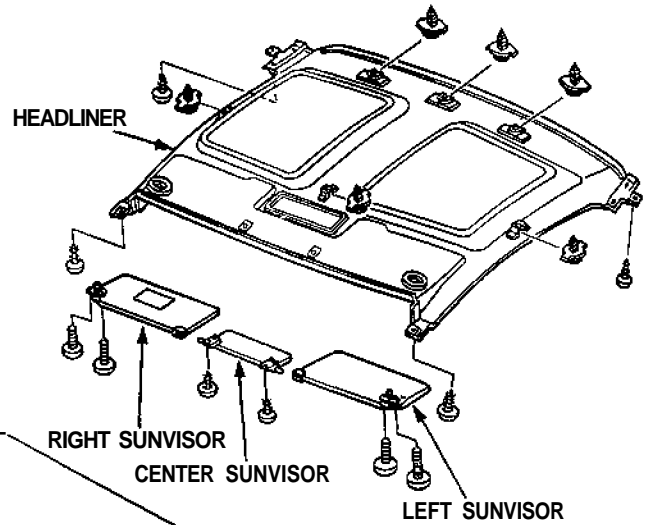
Replacement

To remove the headliner, first remove the:

- Sunvisors
- Center pillar trim panels
- Front pillar trim panels
- Seats (see page 20-39('93-'96))
- Ceiling light (see section 23)

NOTE:

- When installing the headliner, be careful not to fold or bend it. Also, be careful not to scratch the body.
- Check that both sides of the headliner are securely attached to the trim.

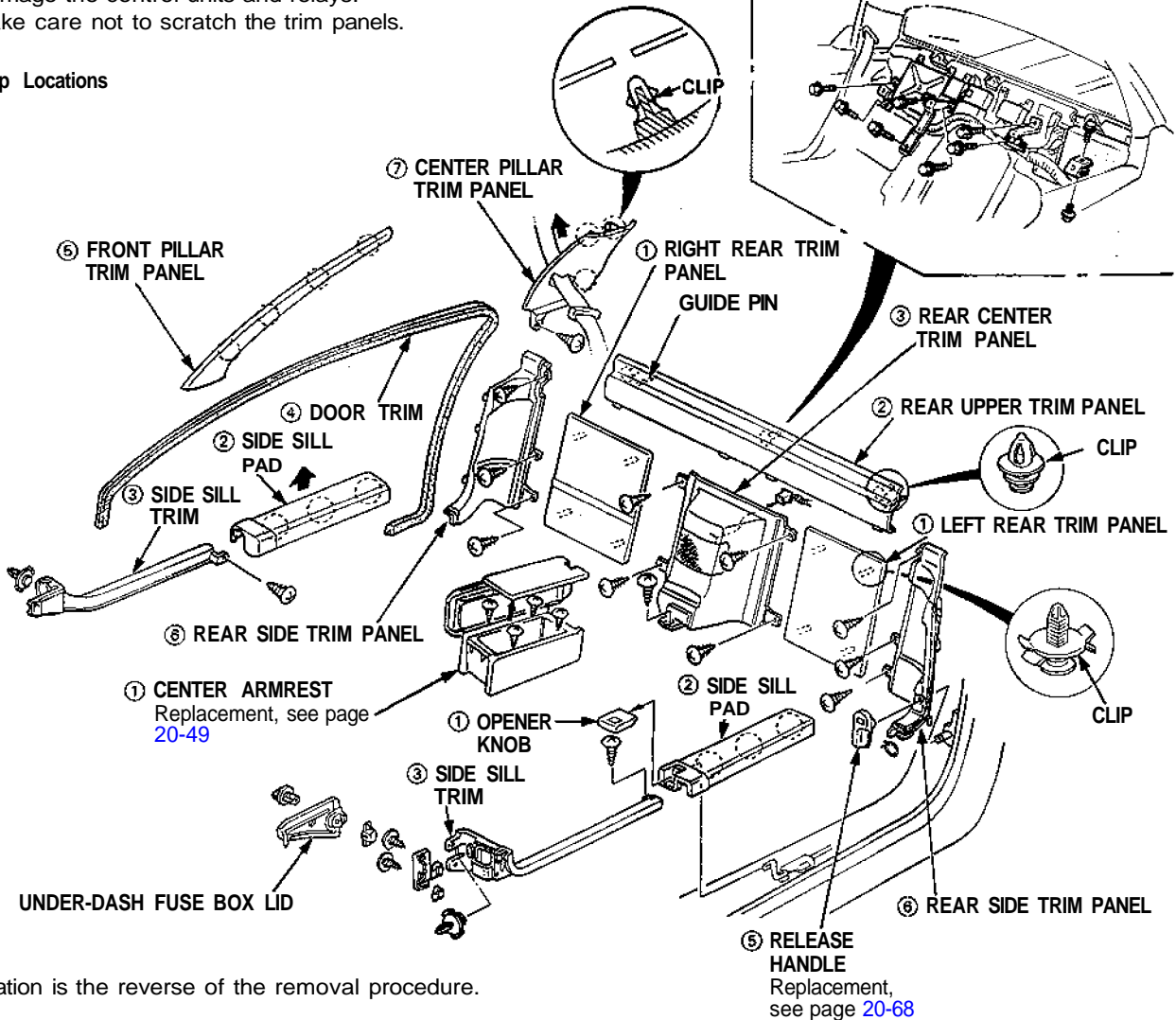


Disassemble in numbered sequence.

NOTE:

- When removing the rear trim panels, take care not to damage the control units and relays.
- Take care not to scratch the trim panels.

⊙ Clip Locations



Installation is the reverse of the removal procedure.

NOTE: If necessary, replace any damaged clips.