

Doors

Moldings Removal

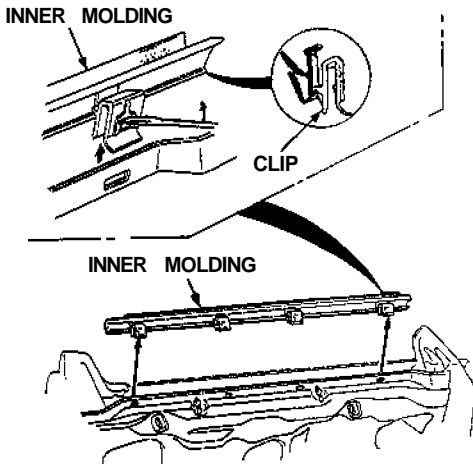
NOTE: Lower the glass fully.

Remove: (see pages 20-7('93-'96),6('91-'92), 8('93-'96),7('91-'92)

- Trim plate
- Sash covers
- Inside door handle
- Door panel

Inner molding:

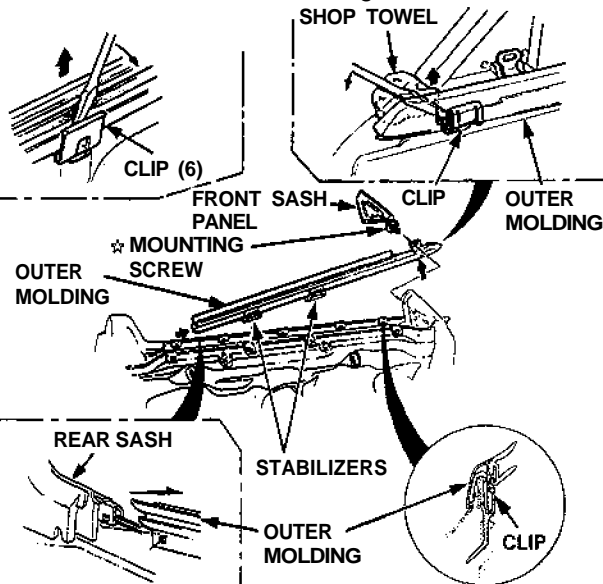
NOTE: Pry the clips out using a flat tip screwdriver, then pull up the inner molding.



Outer molding:

NOTE:

- Remove the front sash panel (see page 20-9 ('93-'96),8('91-'92) and mounting screw.
- Starting at the front, release the clips, and lift and slide the outer molding forward.



Installation is the reverse of the removal procedure.

NOTE:

- Before installing, set the clips onto the moldings.
- If necessary, replace any damaged clips.

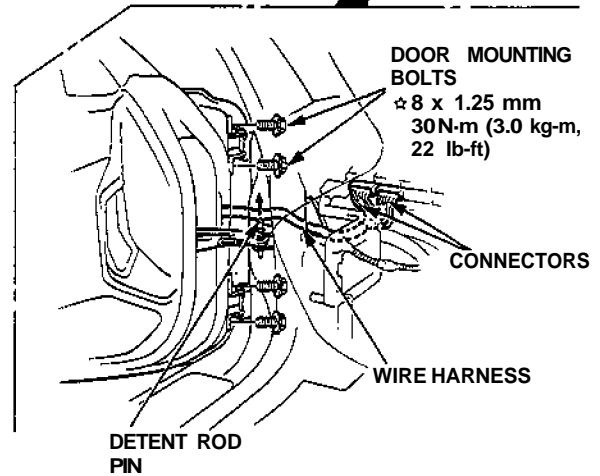
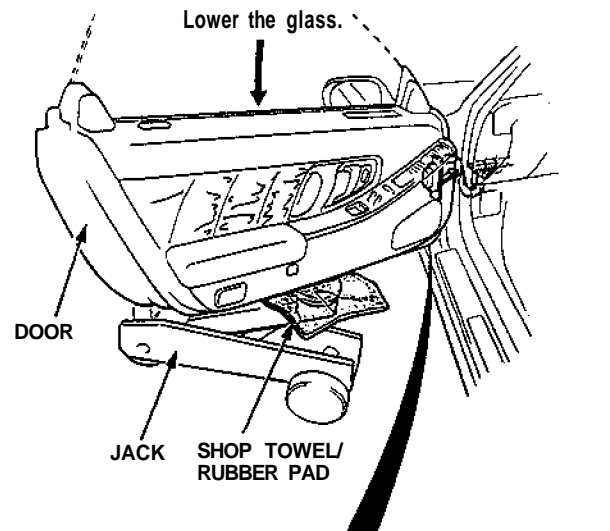
☆ : CORROSION RESISTANT SCREW

Door Removal

1. Lower the glass fully.
2. Remove the seat (see page 20-39('93-'96),38('91-'92)
3. Disconnect the connectors.
4. Remove the door by removing the door mounting bolts and detent rod pin, and by pulling out the wire harness.

CAUTION: Place a shop towel or rubber pad on the jack to prevent damage to the door.

NOTE: Let an assistant hold the door.



5. Installation is the reverse of the removal procedure.

NOTE: Adjust the door position (see page 20-19), ('93-'96),18('91-'92)

☆ : CORROSION RESISTANT BOLT