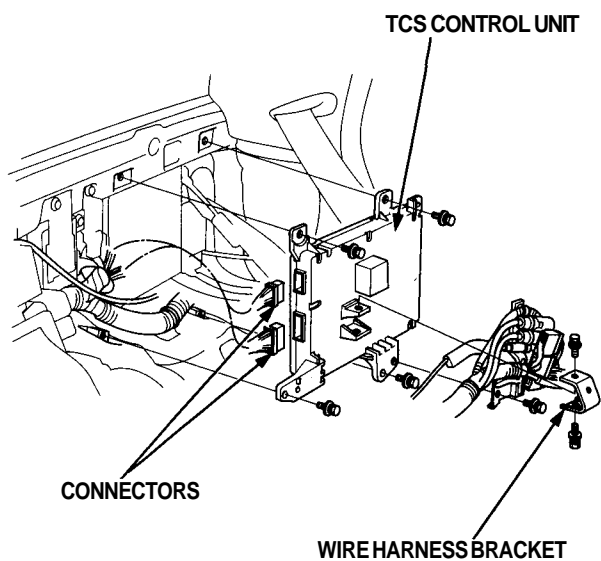


Electronic Components

TCS Control Unit Replacement

1. Remove the left rear trim panel and rear upper trim panel (see [section 20](#)).
2. Remove the wire harness bracket.
3. Disconnect the TCS control unit connectors.
4. Remove the TCS control unit.



5. Install the TCS control unit in the reverse order of removal.