



# Electronic Components

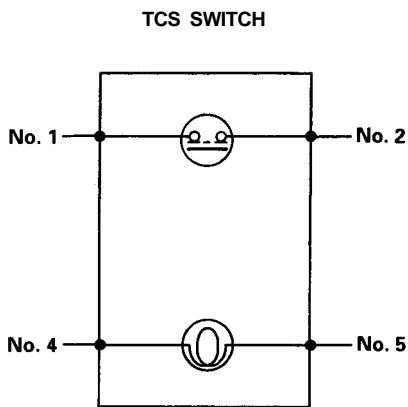
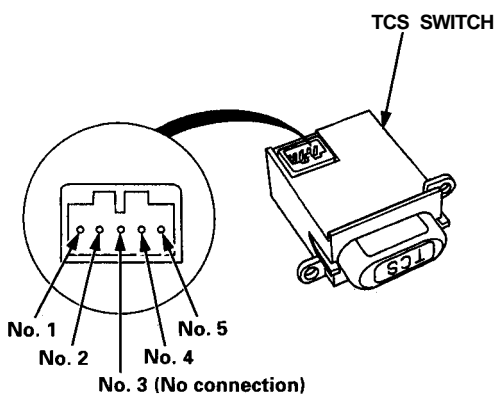
## TCS Switch Inspection

Between terminal No. 4 and No. 5  
(Illumination light circuit)

There should be continuity.

Between terminal No. 1 and No. 2  
(Switch circuit)

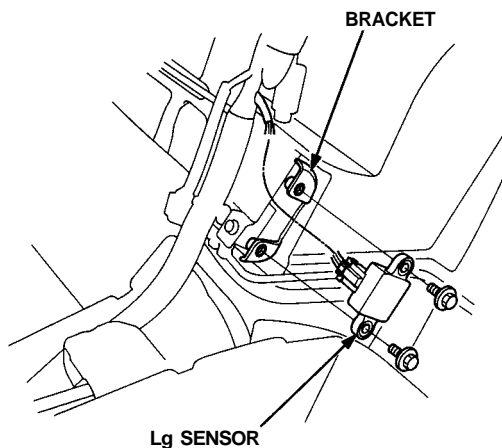
There should be continuity when the switch is pushed, and there should be no continuity when the switch is released.



## Lateral Acceleration (Lg) Sensor Inspection

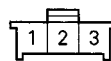
**CAUTION:** Be careful not to drop or bump the Lg sensor, and don't remove or install it with an impact wrench; the Lg sensor may be damaged.

1. Remove the rear center trim panel (see [section 20](#)).
2. Remove the Lg sensor from the bracket.



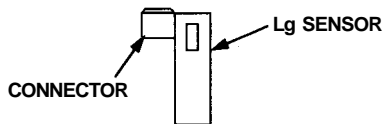
3. Turn the ignition switch ON (II).
4. Measure the voltage between terminal No. 1 and No. 2 with the connector connected.
  - There should be approx. 2.5 V when the Lg sensor is vertical.
  - There should be approx. 1.5 V when the Lg sensor is horizontal with the connector side facing up.
  - There should be approx. 3.5 V when the Lg sensor is horizontal with the connector side facing down.

Lg SENSOR CONNECTOR

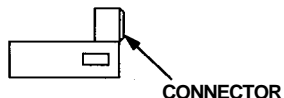


WIRE SIDE OF FEMALE TERMINALS

VERTICAL



CONNECTOR SIDE FACING UP



CONNECTOR SIDE FACING DOWN

