

Rear Caliper

Disassembly

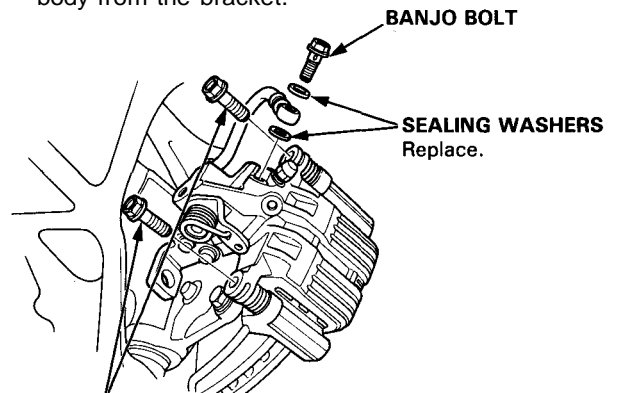
⚠ WARNING

- Never use an air hose or dry brush to clean brake assemblies.
- Use an OSHA-approved vacuum cleaner to avoid breathing brake dust.

CAUTION:

- Do not spill brake fluid on the car; it may damage the paint; if brake fluid does contact the paint, wash it off immediately with water.
- To prevent spills, cover the hose joints with rags or shop towels.
- Clean all parts in brake fluid and air dry; blow out all passages with compressed air.

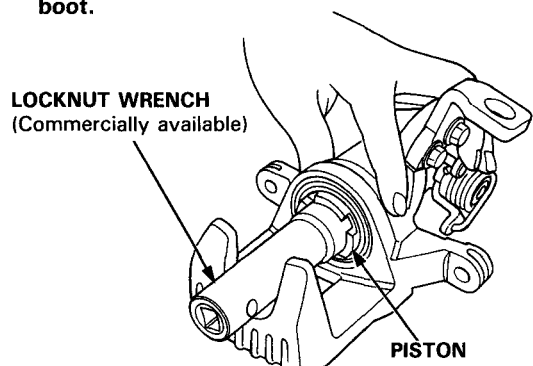
1. Remove the caliper shield (see page 19-17).
2. Disconnect the parking cable (see page 19-17).
3. Remove the banjo bolt and two sealing washers.
4. Remove the two caliper mounting bolts and caliper body from the bracket.



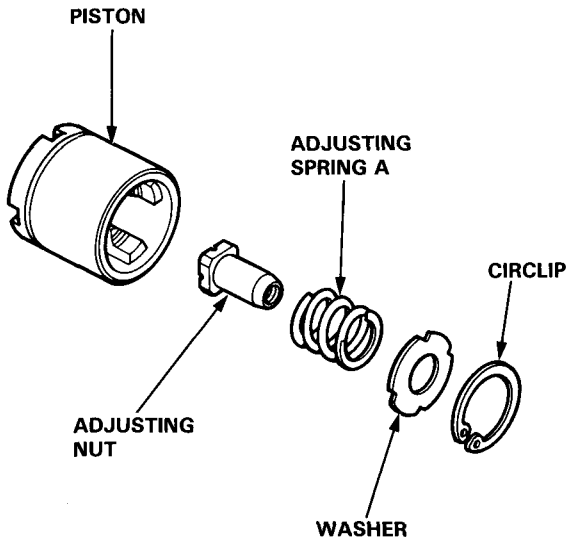
CALIPER MOUNTING BOLTS

5. Remove the pad spring from the caliper.
6. Remove the piston and piston boot while rotating the piston with a commercially-available locknut wrench.

CAUTION: Avoid damaging the piston and piston boot.

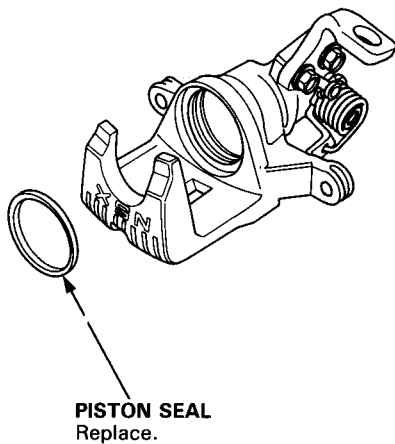


7. Remove the circlip, washer, adjusting spring A, and the adjusting nut from the piston.

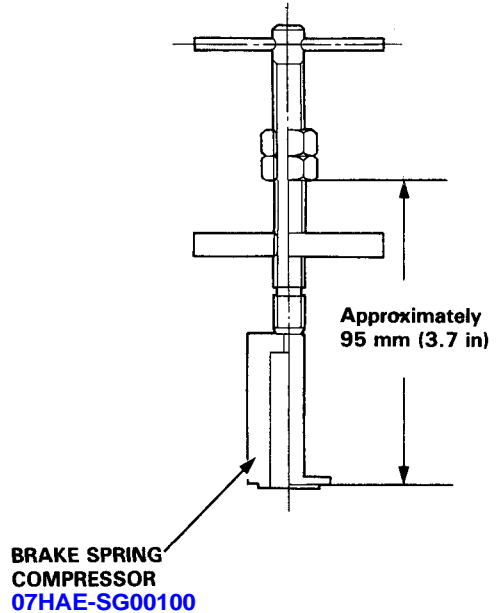


8. Remove the piston seal.

CAUTION: Take care not to damage the cylinder bore.

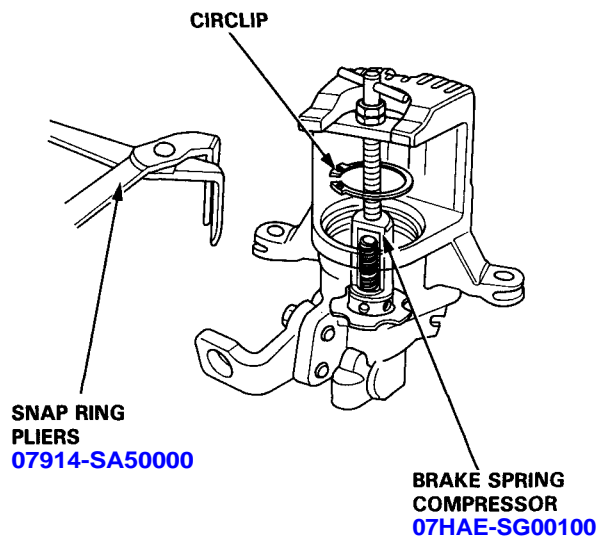


9. Adjust the special tool as shown.



10. Install the special tool between the caliper body and spring guide as shown.

11. Compress the adjusting spring B by turning the shaft of the special tool, then remove the circlip with snap ring pliers.

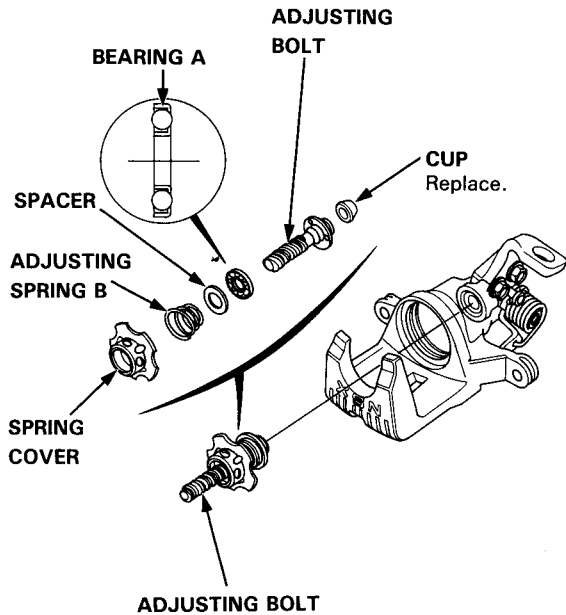


(cont'd)

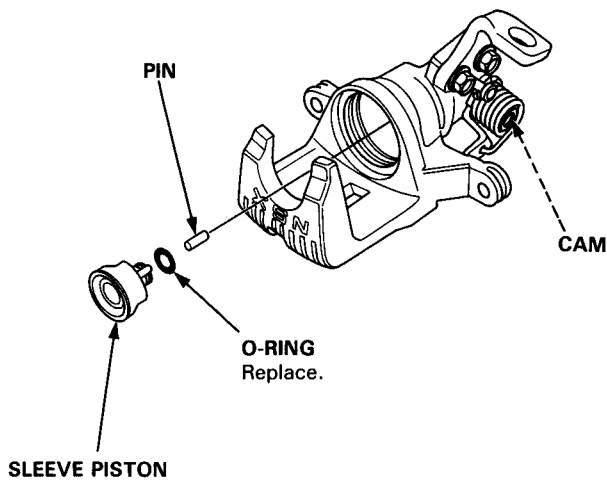
Rear Caliper

Disassembly (cont'd)

12. Remove the adjusting bolt.
13. Remove the spring cover, adjusting spring B, spacer, bearing A and cup from the adjusting bolt.



14. Remove the sleeve piston, and remove the pin from the cam.



15. Remove the return spring.
16. Remove the parking lever and cam as an assembly from the caliper body.

CAUTION: Do not loosen the parking nut with the cam installed in the caliper body. If the lever and shaft must be separated, hold the lever in a vise and loosen the parking nut.

17. Remove the cam boot.

