

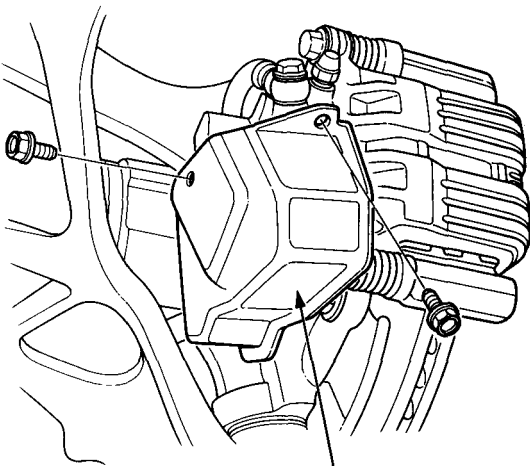
Rear Brake Pads

Inspection/Replacement

⚠ WARNING

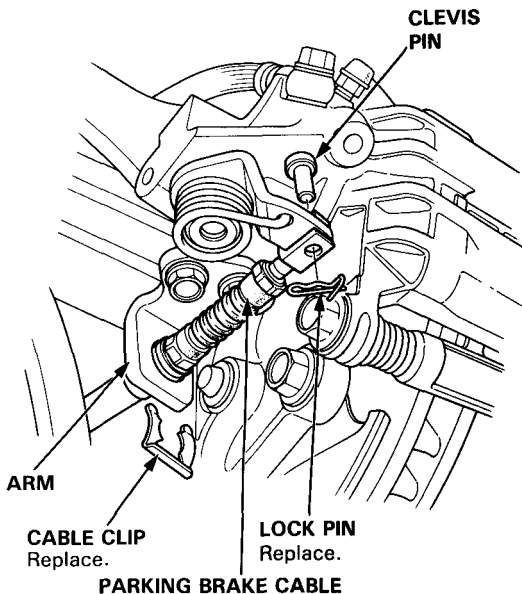
- Never use an air hose or dry brush to clean brake assemblies, Use an OSHA-approved vacuum cleaner to avoid breathing brake dust.

1. Loosen the rear wheel nuts slightly, then raise each side of the car and support it on safety stands (see page 1-9 through 1-11). Remove the rear wheels.
2. Remove the caliper shield.



CALIPER SHIELD

3. Remove the lock pin and clevis pin. Remove the cable clip, and disconnect the cable from the arm.



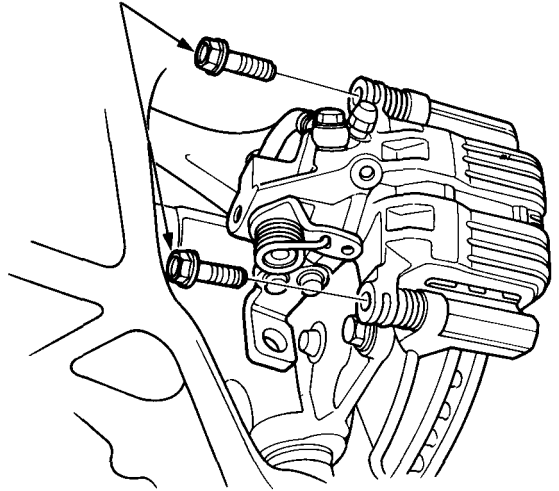
PARKING BRAKE CABLE

4. Remove the two caliper mounting bolts and the caliper from the bracket.

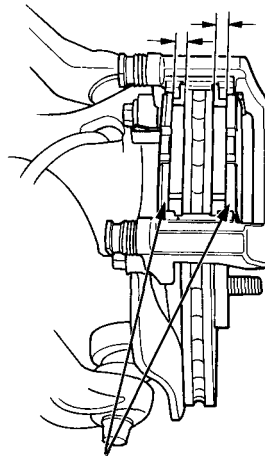
CAUTION:

- Thoroughly clean the outside of the caliper to prevent dust and dirt from entering inside.
- Support the caliper with a piece of wire so that it does not hang from the brake hose.

CALIPER MOUNTING BOLTS (10 mm FLANGE BOLTS)



If lining thickness is less than service limit at step 6, replace the brake pads as a set.



BRAKE PADS

(cont'd)

Rear Brake Pads

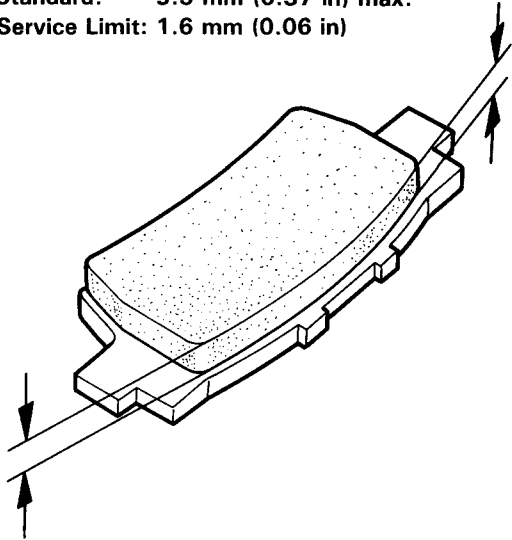
Inspection/Replacement (cont'd)

5. Remove the pad shims, pads and pad retainers.
6. Using vernier calipers, measure the thickness of each brake pad lining.

Brake Pad Thickness:

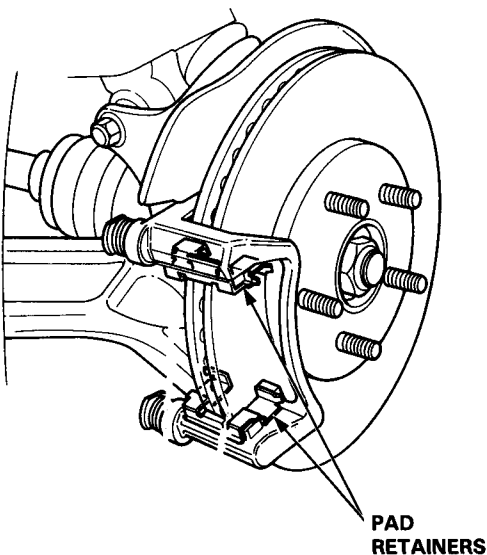
Standard: 9.5 mm (0.37 in) max.

Service Limit: 1.6 mm (0.06 in)



NOTE: Measurement does not include pad backing thickness.

7. Clean the caliper thoroughly; remove any rust, and check for grooves and cracks.
8. Make sure that the pad retainers are installed in the correct positions.



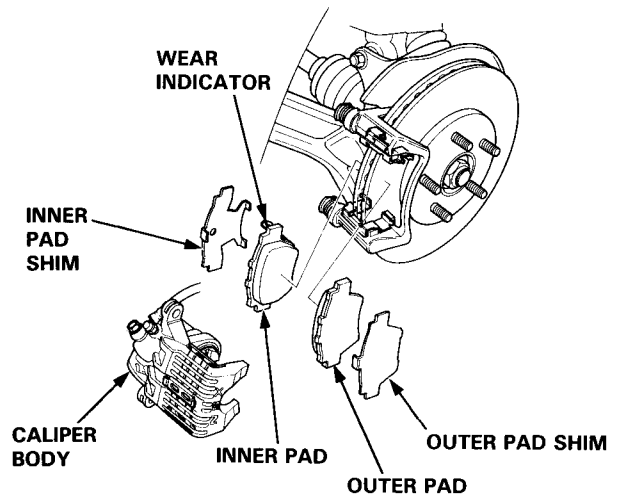
9. Install the new brake pads and pad shims on caliper bracket.

⚠ WARNING

- When reusing the pads, always reinstall the brake pads in their original positions to prevent loss of braking efficiency.
- Contaminated brake discs or pads reduce stopping ability. Keep grease off the discs and pads.

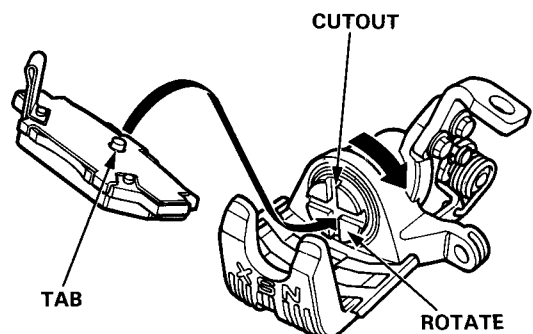
NOTE:

- Apply Molykote® M77 to the shims (see page 19-16). Wipe excess grease off the shims.
- Install the inner pad with its wear indicator facing upward.
- Make sure that the pad spring is installed onto the caliper body.

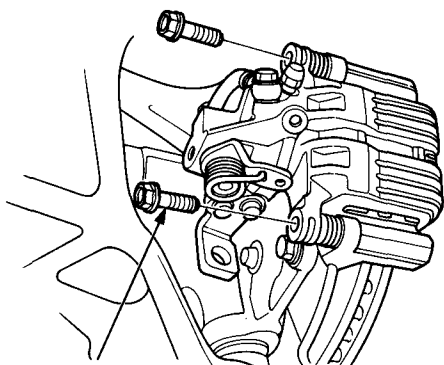


10. Rotate the piston clockwise into place in the cylinder, then align the cutout in the piston with the tab on the inner pad by turning back the piston back.

CAUTION: Lubricate the boot with silicone grease to avoid twisting the piston boot. If the piston boot is twisted, back it out so it sits properly.

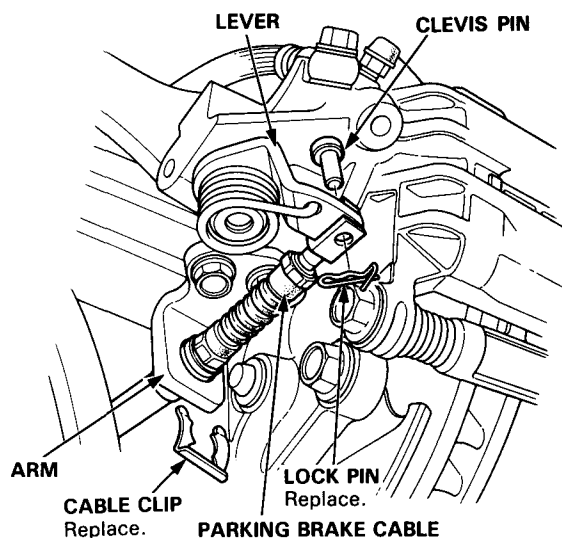


11. Install and tighten the two caliper mounting bolts.



CALIPER MOUNTING BOLT
(10 mm FLANGE BOLT)
50 N·m (5.0 kg·m, 36 lb·ft)

12. Insert the cable through the arm, and connect the cable to the lever with the clevis pin and new lock pin.
 Install the new cable clip securely.



13. Install the caliper shield.
14. Depress the brake pedal several times to make sure the brakes work, then test-drive the car.

NOTE: Engagement of the brake may require a greater pedal stroke immediately after the brake pads have been replaced as a set. Several applications of the brake pedal will restore the normal pedal stroke.

15. Install the rear wheels and torque the wheel nuts.

NOTE: Clean the mating surfaces of the wheel and hub before installing the wheel.