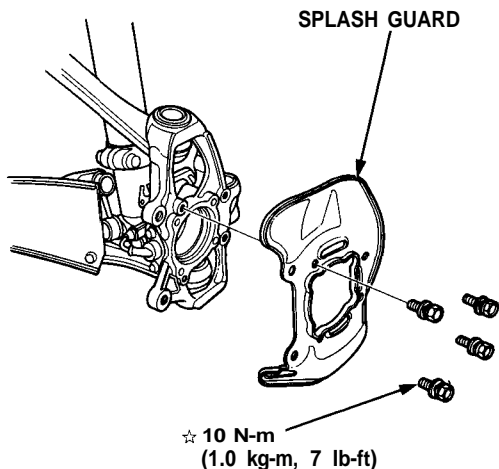




Knuckle/Control Arms/Compliance Pivot

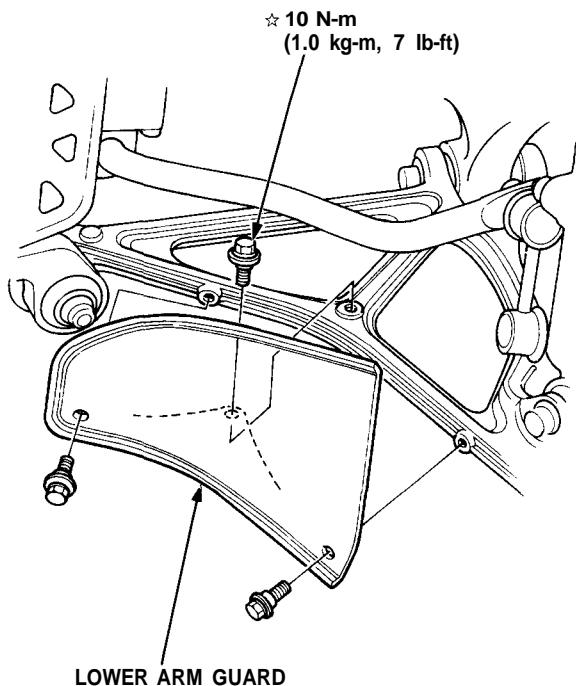
Removal

1. Remove the front wheel and bearing unit assembly (see page 18-15).
2. Remove the splash guard from the knuckle.



☆: Corrosion resistant bolt/nut

3. Remove the lower control arm guard.



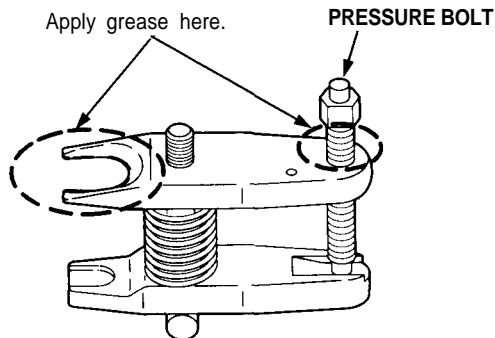
☆: Corrosion resistant bolt/nut

NOTE: Use the ball joint removers to separate the ball joints from the suspension or steering arm.

CAUTION:

- Be careful not to damage the ball joint boot.
- Torque the castle nut to the lower torque specification, then tighten it only far enough to align the slot with the pin hole. Do not align the nut by loosening.

4. Clean any dirt or grease off the ball joint.
5. Remove the cotter pin from the steering arm, and remove the nut.
6. Apply grease to the special tool on the areas shown. This will ease installation of the tool and prevent damage to the pressure bolt threads.

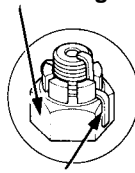


7. Install a 12 mm hex nut on the ball joint. Be sure that the hex nut is flush with the ball joint pin end to prevent damage to the threaded end of the ball joint.
8. Use the ball joint remover, 28 mm, as shown. Insert the jaws carefully, making sure you do not damage the ball joint boot. Adjust the jaw spacing by turning the pressure bolt.

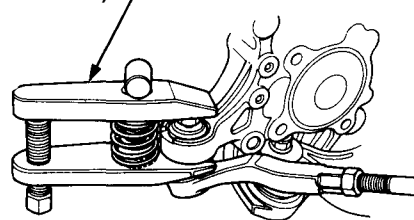
NOTE: If necessary, apply penetrating type lubricant to loosen the ball joint.

☆ CASTLE NUT
40-48 N-m
(4.0-4.8 kg-m, 29-35 lb-ft)

BALL JOINT REMOVER, 28 mm
07MAC-SL00200



Replace.
On reassembly, bend the pin as shown.

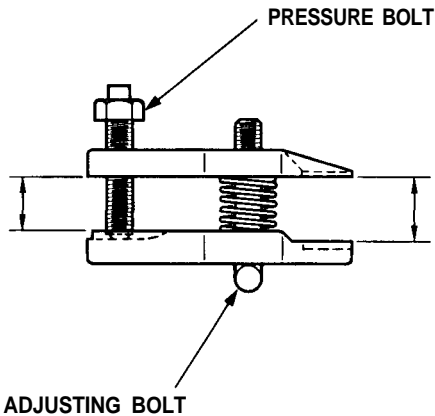


(cont'd)

Knuckle/Control Arms/Compliance Pivot

Removal (cont'd)

9. Once the tool is in place, turn the adjusting bolt as necessary to make the jaws parallel. Then hand-tighten the pressure bolt, and recheck the jaws to make sure they are still parallel.



10. With a wrench, tighten the pressure bolt until the ball joint shaft pops loose from the steering arm.

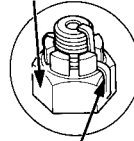
⚠ WARNING Wear eye protection. The ball joint can break loose suddenly and scatter dirt or other debris in your eyes.

11. Remove the tool, then remove the nut from the end of the ball joint and pull the ball joint out of the steering/suspension arm. Inspect the ball joint boot, and replace it if damaged.

12. Remove the cotter pin and lower control arm ball joint nut.
13. Install the 12 mm hex nut on the ball joint. Be sure that the 12 mm hex nut is flush with the ball joint pin end, or the threaded section of the ball joint pin might be damaged by the ball joint remover.
14. Use the ball joint remover, 32 mm, as shown on page 18-21 to separate the ball joint and lower control arm.

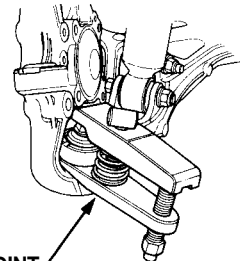
NOTE: If necessary, apply penetrating type lubricant to loosen the ball joint.

- ☆ **CASTLE NUT**
12 x 1.25 mm
55-65 N-m
(5.5-6.5 kg-m, 40-47 lb-ft)



COTTER PIN

Replace.
On reassembly, bend the cotter pin as shown.



BALL JOINT REMOVER, 32 mm
07MAC - SL00100

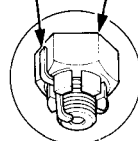
☆: Corrosion resistant bolt/nut

15. Remove the cotter pin and the upper ball joint nut.
16. Install the 12 mm hex nut on the ball joint. Be sure that the 12 mm hex nut is flush with the ball joint pin end, or the threaded section of the ball joint pin might be damaged by the ball joint remover.
17. Use the ball joint remover, 32 mm, as shown on page 18-21 to separate the ball joint and upper arm.

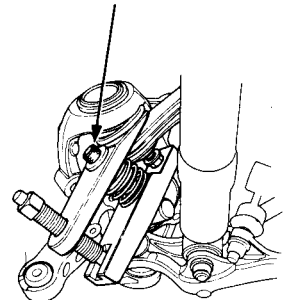
NOTE: If necessary, apply penetrating type lubricant to loosen the ball joint.

COTTER PIN
Replace.
On reassembly, bend the cotter pin as shown.

- ☆ **CASTLE NUT**
12 x 1.25 mm
55-65 N-m
(5.5-6.5 kg-m, 40-47 lb-ft)



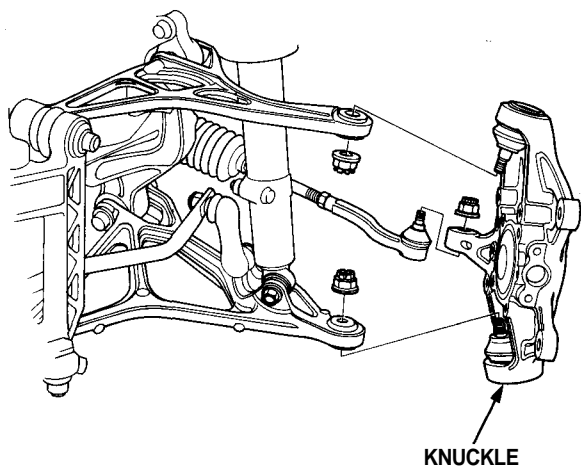
BALL JOINT REMOVER, 32 mm
07MAC - SL00100



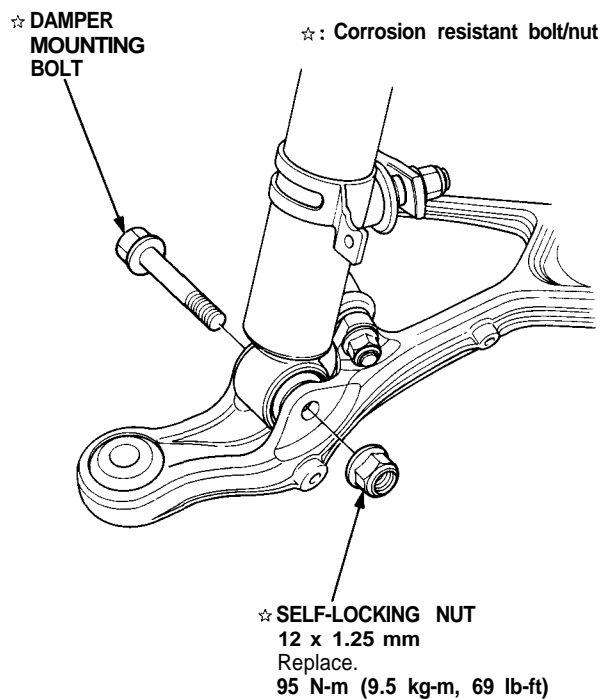
☆: Corrosion resistant bolt/nut



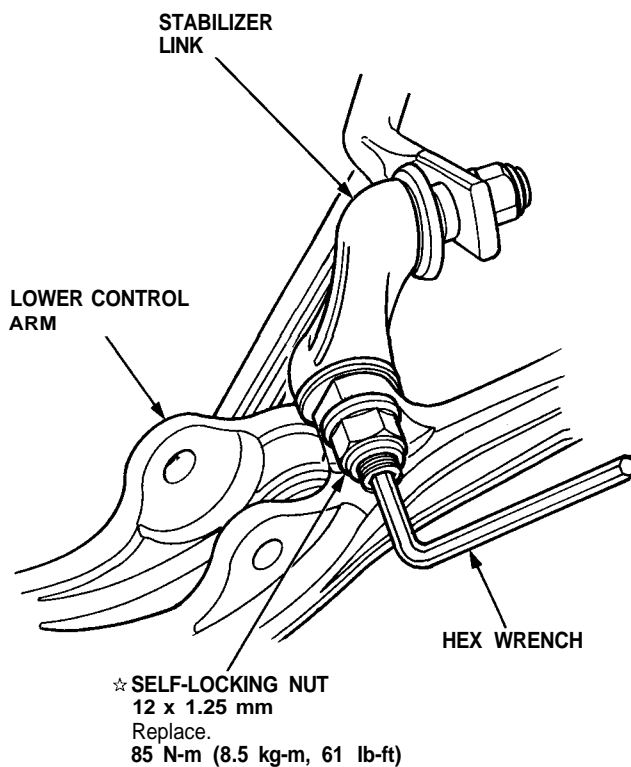
18. Remove the knuckle.



19. Separate the lower control arm and damper by removing the damper mounting bolt.



20. Hold the ball pin of the stabilizer link with a hex wrench, and loosen the self-locking nut.



☆: Corrosion resistant bolt/nut

21. Disconnect the stabilizer link from the lower control arm.

(cont'd)

Knuckle/Control Arms/Compliance Pivot

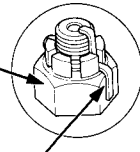
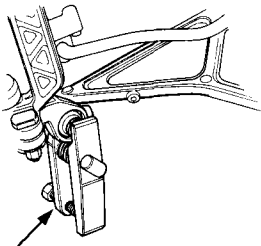
Removal (cont'd)

22. Remove the cotter pin and lower arm ball joint nut.
23. Install the 12 mm hex nut on the ball joint. Be sure that the 12 mm hex nut is flush with the ball joint pin end, or the threaded section of the ball joint pin might be damaged by the ball joint remover.
24. Use the ball joint remover, 32 mm, as shown on page 18-21 to separate the ball joint and compliance pivot.

NOTE: If necessary, apply penetrating type lubricant to loosen the ball joint.

CAUTION: Avoid damaging the ball joint boot.

☆ **CASTLE NUT**
12 x 1.25 mm
55-65 N-m
(5.5-6.5 kg-m, 40-47 lb-ft)

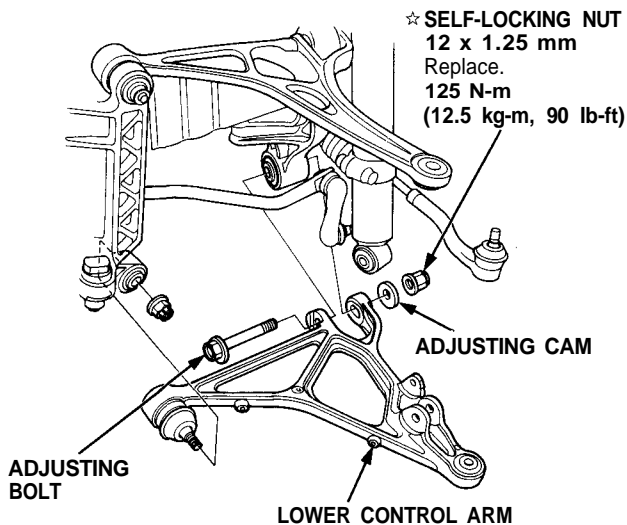


COTTER PIN
Replace.
On reassembly,
bend the cotter pin
as shown.

BALL JOINT REMOVER, 32 mm
07MAC-SL00100

☆: Corrosion resistant bolt/nut

25. Remove the lower control arm by removing the adjusting bolt.



☆ **SELF-LOCKING NUT**
12 x 1.25 mm
Replace.
125 N-m
(12.5 kg-m, 90 lb-ft)

ADJUSTING CAM

ADJUSTING BOLT

LOWER CONTROL ARM

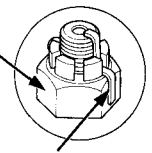
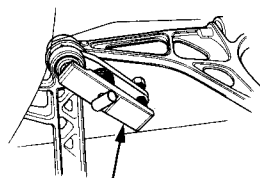
☆: Corrosion resistant bolt/nut

26. Remove the cotter pin and upper arm ball joint nut.
27. Install the 12 mm hex nut on the ball joint. Be sure that the 12 mm hex nut is flush with the ball joint pin end, or the threaded section of the ball joint pin might be damaged by the ball joint remover.
28. Use the ball joint remover, 32 mm, as shown on page 18-21 to separate the ball joint and compliance pivot.

NOTE: If necessary, apply penetrating type lubricant to loosen the ball joint.

CAUTION: Avoid damaging the ball joint boot.

☆ **CASTLE NUT**
12 x 1.25 mm
55-65 N-m
(5.5-6.5 kg-m, 40-47 lb-ft)

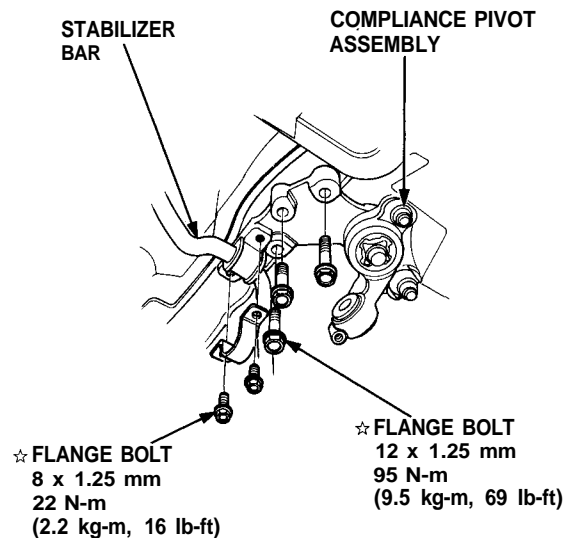


COTTER PIN
Replace.
On reassembly,
bend the cotter pin
as shown.

BALL JOINT REMOVER, 32 mm
07MAC-SL00100

☆: Corrosion resistant bolt/nut

29. Remove the stabilizer bar bracket from the compliance pivot.
30. Remove the three lower compliance pivot bolts.



STABILIZER BAR

COMPLIANCE PIVOT ASSEMBLY

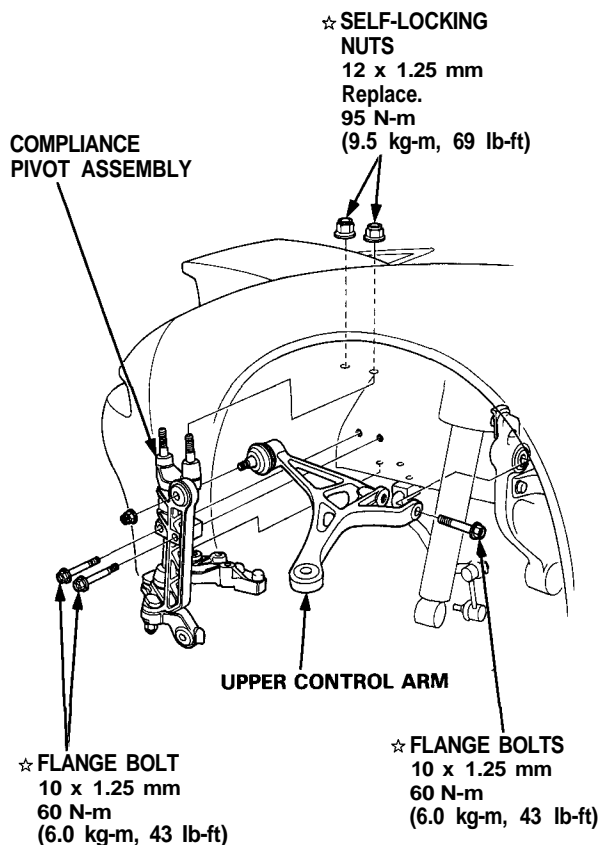
☆ **FLANGE BOLT**
8 x 1.25 mm
22 N-m
(2.2 kg-m, 16 lb-ft)

☆ **FLANGE BOLT**
12 x 1.25 mm
95 N-m
(9.5 kg-m, 69 lb-ft)

☆: Corrosion resistant bolt/nut



31. Remove the compliance pivot assembly by removing the bolts and nuts shown.
32. Remove the upper control arm assembly by removing the flange bolt shown.



☆: Corrosion resistant bolt/nut

NOTE:

- Install the upper control arm on the frame before installing the compliance pivot assembly.
- Install the compliance pivot bolts and nuts. Torque them to the specified torque in the order.

1. Loosely tighten the flange bolt (①).
2. Insert the stud bolts (②) into the frame.
3. Install the three flange bolts (③) and tighten to the specified torque.
4. Install the two flange bolts (④) and tighten to the specified torque.
5. Tighten the flange bolt (①).
6. Install the 12 mm self-locking nuts (⑤) and tighten to the specified torque.

