

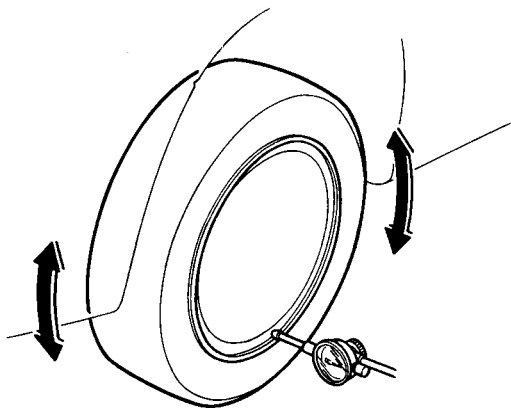


Runout

1. Raise the car off the ground, and support it with safety stands in the proper locations (see [section 1](#)).
2. Place the dial gauge on each front and rear wheel rim, and turn the wheel slowly by hand. Check the axial and radial runout for front/rear wheel.

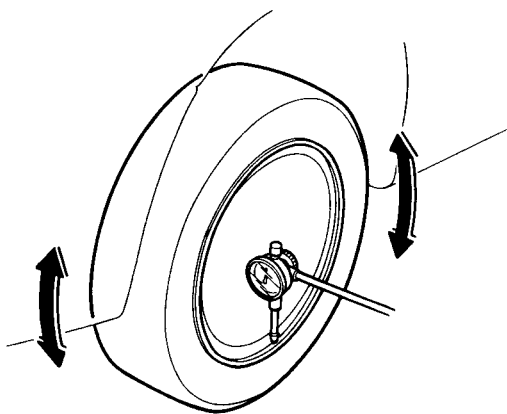
Front and Rear Wheel Axial Runout:

Standard: 0-0.7 mm (0-0.03 in)
Service Limit: 2.0 mm (0.08 in)



Front and Rear Wheel Radial Runout:

Standard: 0—0.7 mm (0—0.03 in)
Service Limit: 1.5 mm (0.06 in)



- If the wheel axial runout exceeds the service limit, check the bearing end play.
- If the bearing end play is within the service limit, replace the wheel.

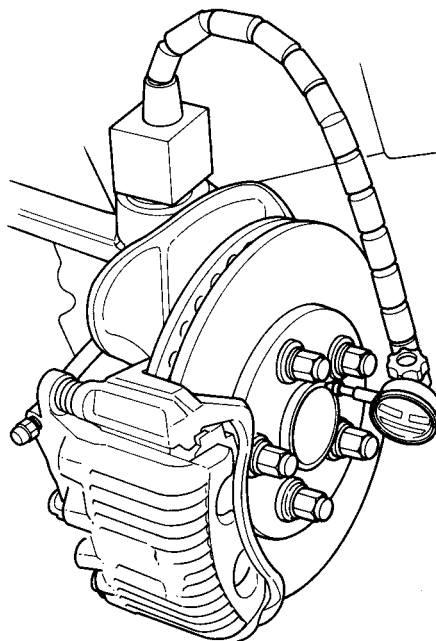
Bearing End Play

Front Wheel End Play:

Standard: 0 mm (0 in)
Service limit: 0.05 mm (0.002 in) max.

Rear Wheel End Play:

Standard: 0 mm (0 in)
Service limit: 0.05 mm (0.002 in) max.



Replace the wheel bearing with new one if the service limit is exceeded.