



Rear Wheel Alignment Adjusting Procedure

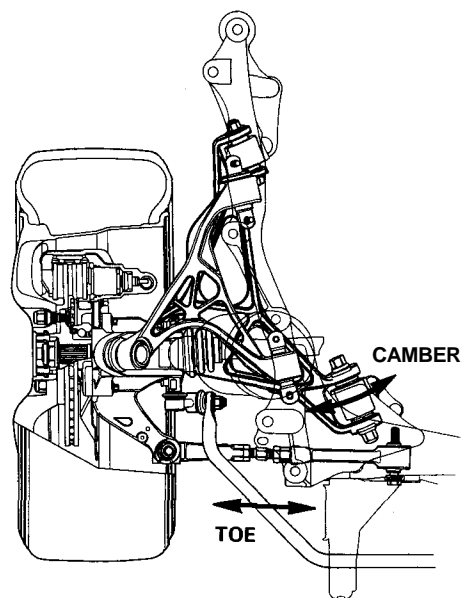
Rear wheel alignment adjusting procedure

Check tire pressure on both sides.

Check the ride height on both sides.

Adjust both camber and toe of the left side.

Adjust both camber and toe of the right side.



TOP VIEW

(cont'd)

Wheel Alignment

Rear Wheel Alignment Adjusting Procedure (cont'd)

NOTE:

- NSX/NSX-T four wheel alignment requires the use of equipment designed specifically for four wheel independent suspensions and capable of immediate feedback.

1. Drive the car on the alignment rack.
2. Check the tire pressure and ride height as described on page 18-6.
3. Center the steering wheel.

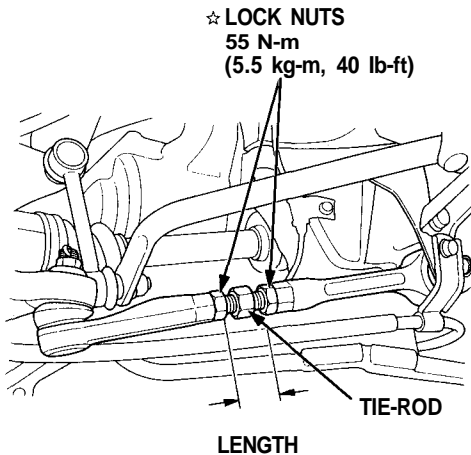
Toe

- 1. Measure the length of the threaded section on the right and left toe control arms.

Standard: 40 mm (1.6 in)

**Difference between right and left:
1.0 mm (0.04 in) max.**

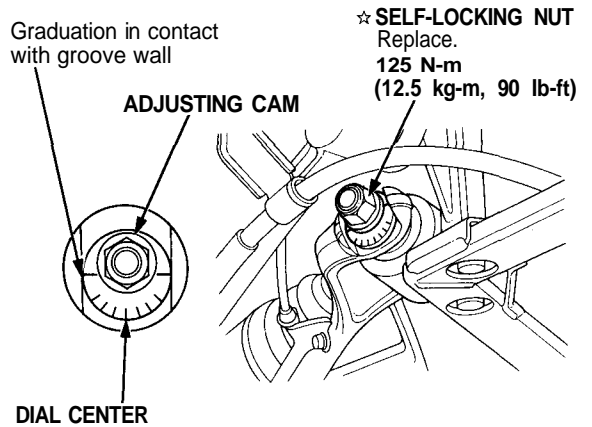
- 2. If the measurement is out of specification, loosen the locknuts, and adjust the rear toe by turning the right and left tie-rods.



☆: Corrosion resistant bolt/nut

Camber

- 1. Loosen the self-locking nut on the rear lower control arm adjusting point, then adjust the cam position so that the right and left graduations on the adjusting cam are in contact with groove wall.
- 2. Mark the arm in the position which aligns with the dial center of the adjusting cam.



☆: Corrosion resistant bolt/nut

4. Measure the readings for camber and toe according to the alignment equipment manufacturer's instructions.
5. Adjust the camber and toe at the same time on one side of the car. Repeat for the other side of the car.

Rear Specifications

Toe-in: 4.0 ± 1.0 mm (0.16 ± 0.04 in)

Camber: -1°30' ± 30'