



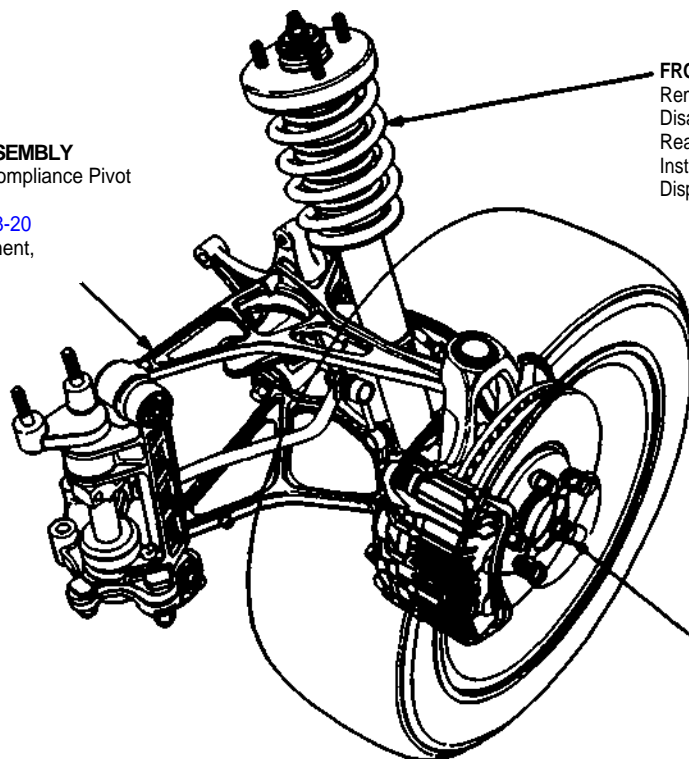
# Component Locations

## Index

### Front Suspension:

#### FRONT SUSPENSION ASSEMBLY

- Knuckle/Control Arms/ Compliance Pivot Removal, page 18-21
- Illustrated Index, page 18-20
- Ball Joint Boot Replacement, page 18-26



#### FRONT DAMPER

- Removal, page 18-27
- Disassembly/Inspection, page 18-27
- Reassembly, page 18-29
- Installation, page 18-29
- Disposal . . . . . 18-44

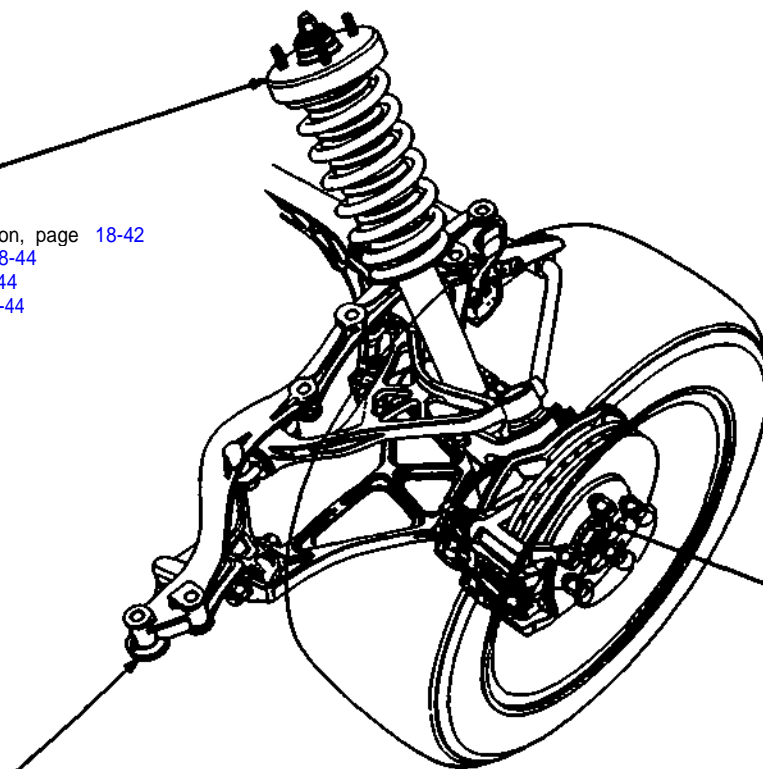
#### FRONT HUB

- Replacement, page 18-15

### Rear Suspension:

#### REAR DAMPER

- Removal, page 18-40
- Disassembly/Inspection, page 18-42
- Reassembly, page 18-44
- Installation, page 18-44
- Disposal . . . . . 18-44



#### REAR HUB

- Replacement, page 18-31

#### REAR SUSPENSION ASSEMBLY

- Knuckle/Control Arms Removal, page 18-36
- Illustrated Index, page 18-35
- Ball Joint Boot Replacement, page 18-39