

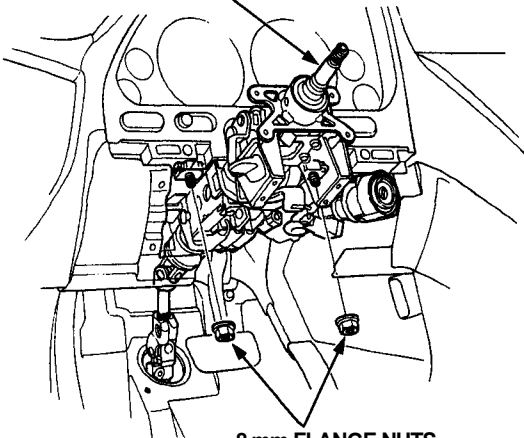
Steering Column

Installation

SRS components are located in this area. Review the SRS component locations, precautions, and procedures in the SRS [section 24](#) before performing repairs or service.

1. Slip the lower end of the steering joint onto the pinion shaft.
2. Reposition the column assembly on the hanger bracket, and loosely tighten with 8 mm flange nuts.

COLUMN ASSEMBLY

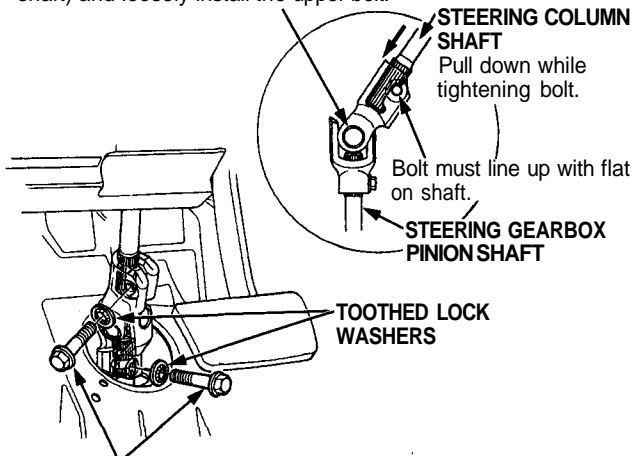


8 mm FLANGE NUTS
16 N-m
(1.6 kg-m, 12 lb-ft)

3. Tighten to the steering joint bolts.
NOTE:
 - Be sure that the lower bolt is securely in the groove in the steering gearbox pinion shaft.
 - Be sure the pinion shaft and the steering column shaft are aligned; the joint should slip on freely. If not reposition the steering rack to correct the misalignment.

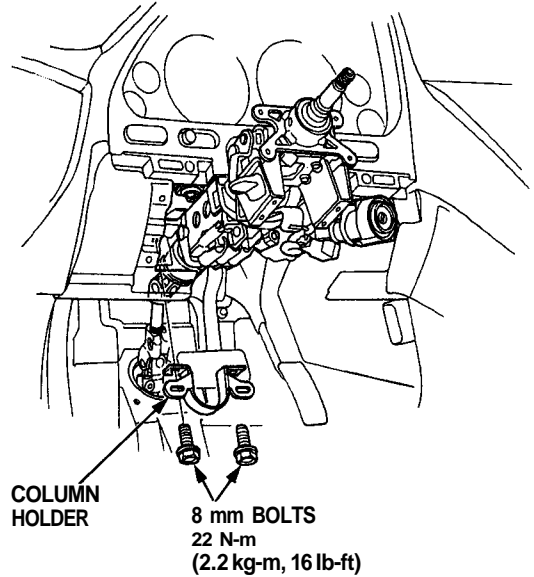
STEERING JOINT

Slip the upper end of the steering joint onto the steering shaft (line up the bolt hole with the groove around the shaft) and loosely install the upper bolt.

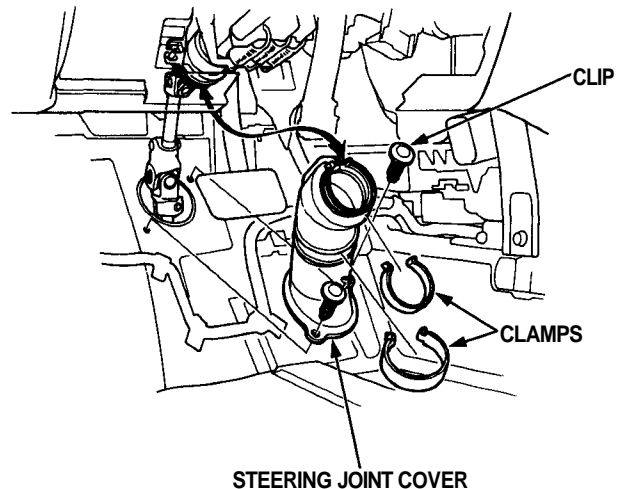


STEERING JOINT BOLTS
22 N-m (2.2 kg-m, 16 lb-ft)

4. Install the column holder with the 8 mm bolts.

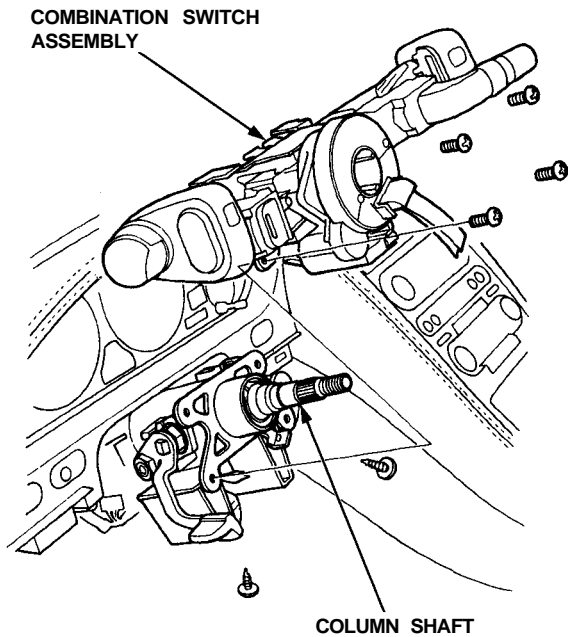


5. Tighten the 8 mm flange nuts to the specified torque.
6. Install the steering joint cover with the clamps and clips.

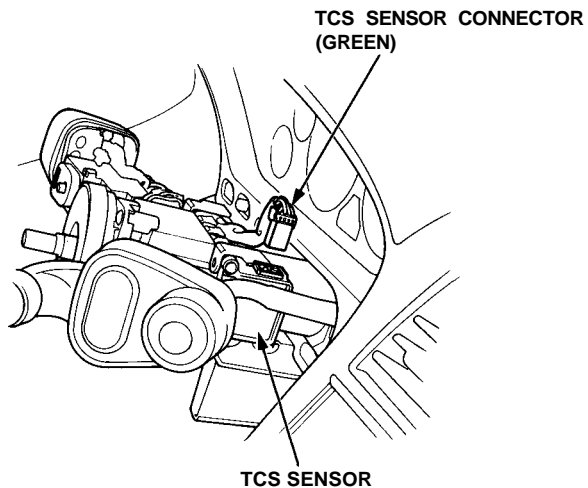




7. Install the combination switch assembly over the column shaft.

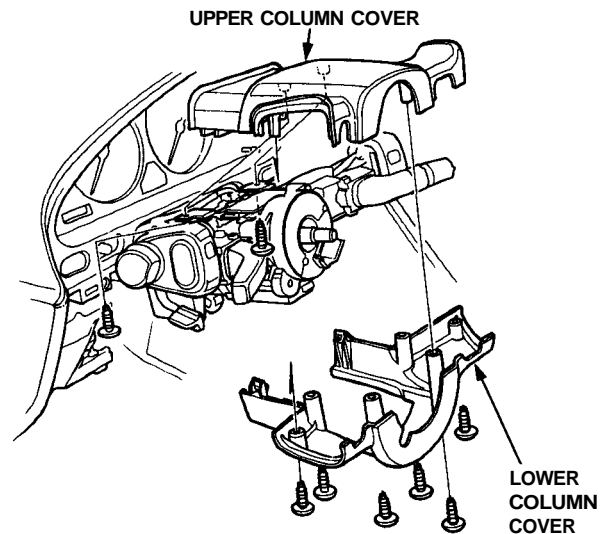


8. Reconnect TCS sensor connector.



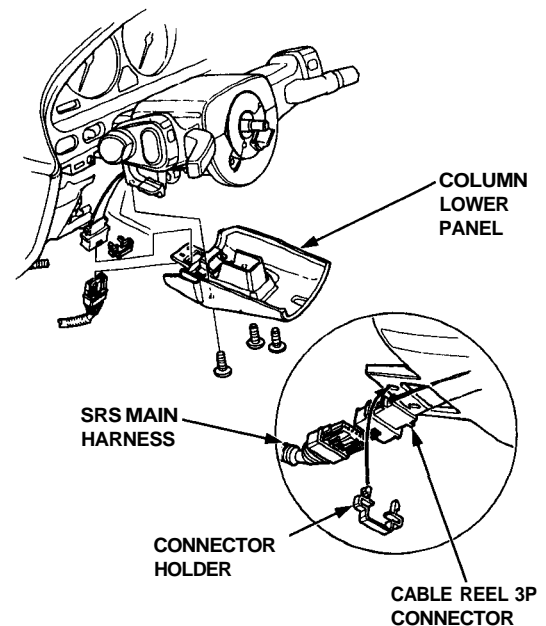
9. Install the column covers.

NOTE: Be careful not to damage the column covers.



10. Insert the cable reel 3P connector through the column lower panel, and attach it to the column lower panel with the connector holder. Then connect the SRS main harness and cable reel 3P connector.

11. Install the column lower panel.

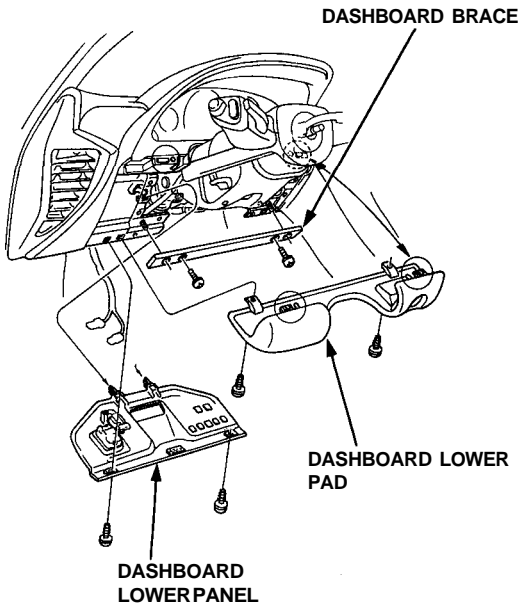


(cont'd)

Steering Column

Installation (cont'd)

12. Install the dashboard brace and dashboard lower pad.
13. Connect the foot well light harness and light-on warning chime to the dashboard lower panel, then install the dashboard lower panel.



14. Install the steering wheel and airbag assembly to the column (see page [17-45](#)).