



Steering Wheel

Removal

Airbag Removal

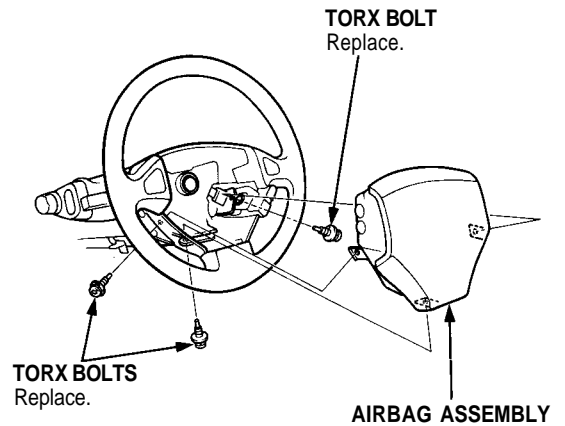
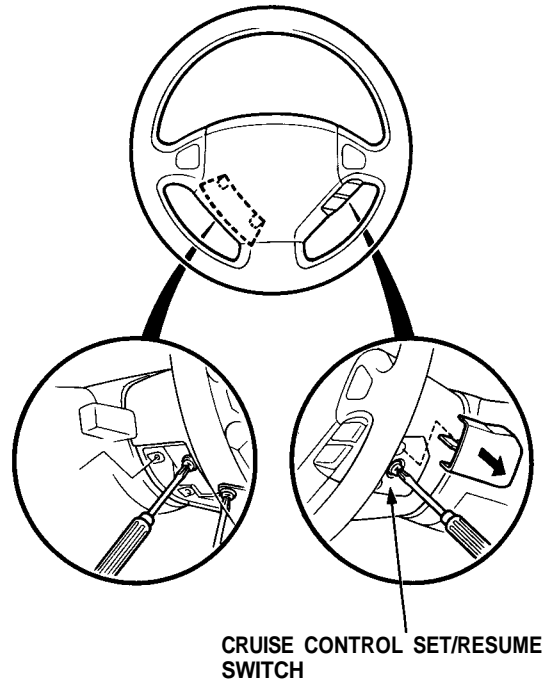
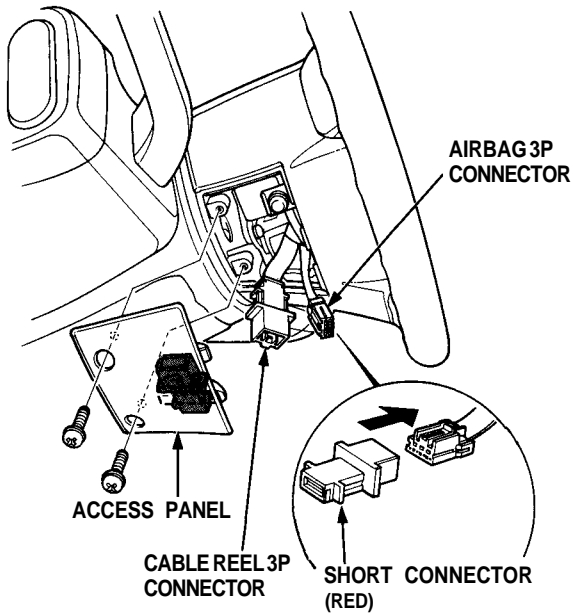
⚠ WARNING Store a removed airbag assembly with the pad surface up. If the airbag is improperly stored face down, accidental deployment could propel the unit with enough force to cause serious injury.

NOTE: Before removing the steering wheel, make sure the front wheels are straight ahead.

SRS components are located in this area. Review the SRS component locations, precautions, and procedures in the SRS [section 24](#) before performing repairs or service.

1. Disconnect both the negative cable and positive cable from the battery.
2. Remove the access panel from the steering wheel lower cover, then remove the short connector.
3. Disconnect the connector between the airbag and cable reel.
4. Connect the short connector to the airbag side of the connector.

5. Remove the Torx bolts using a Torx T30 bit, then remove the airbag assembly.

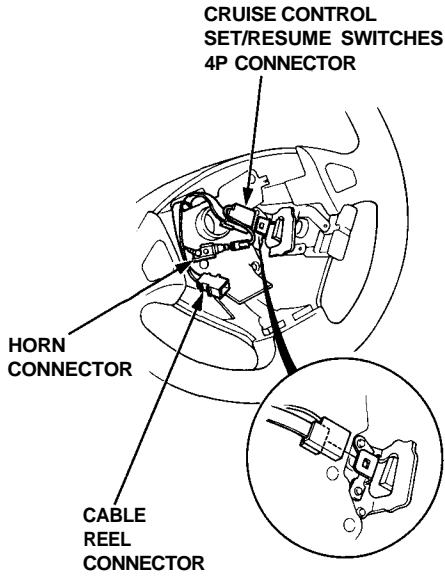


(cont'd)

Steering Wheel

Removal (cont'd)

7. Disconnect the connectors from the horn and cruise control set/resume switches, then remove the cable reel connector from its clips.



8. Remove the steering wheel nut.
9. Remove the steering wheel by rocking it slightly from side-to-side as you pull steadily with both hands.

