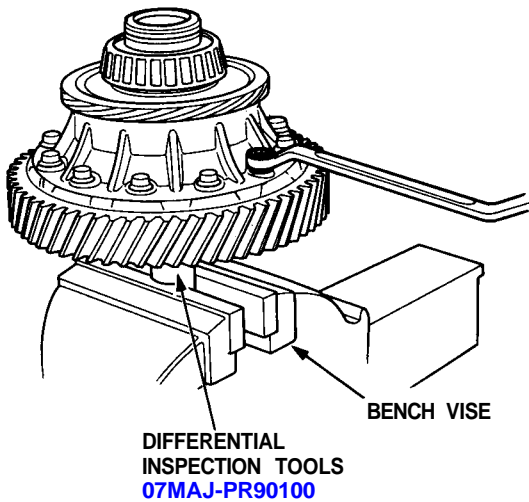


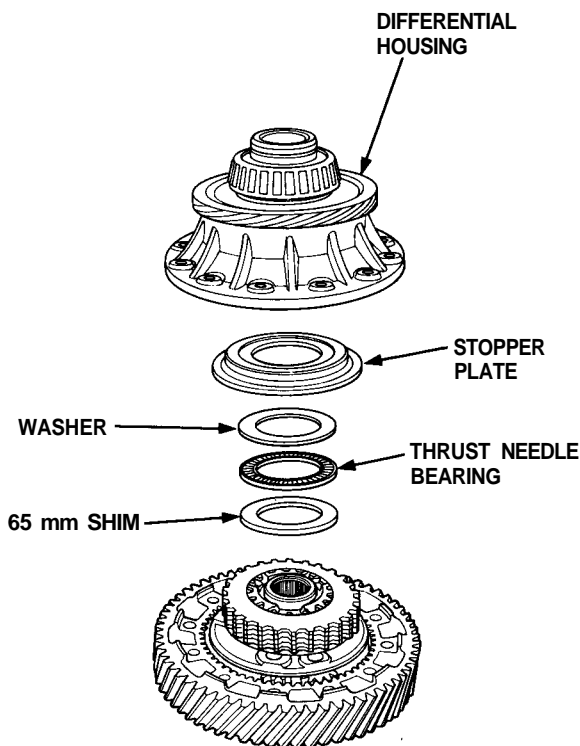
Differential

Disassembly

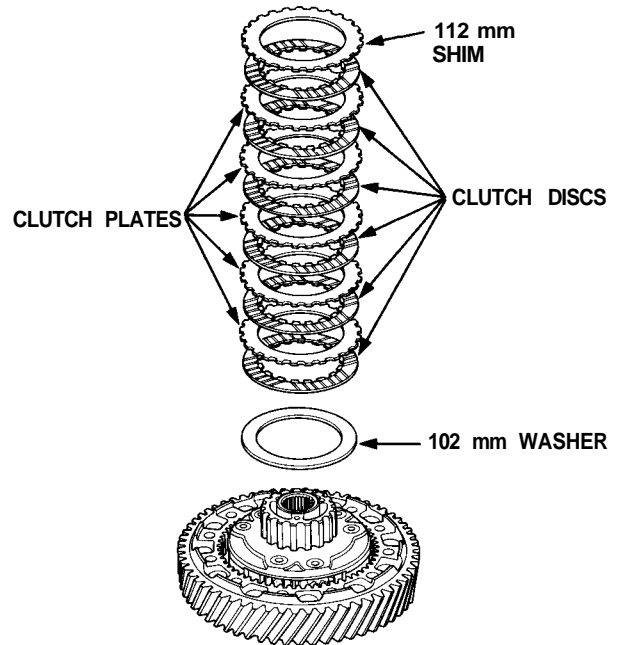
1. Hold the differential in a bench vise using a special tool, then remove the differential housing mounting bolts in a crisscross pattern in several steps.



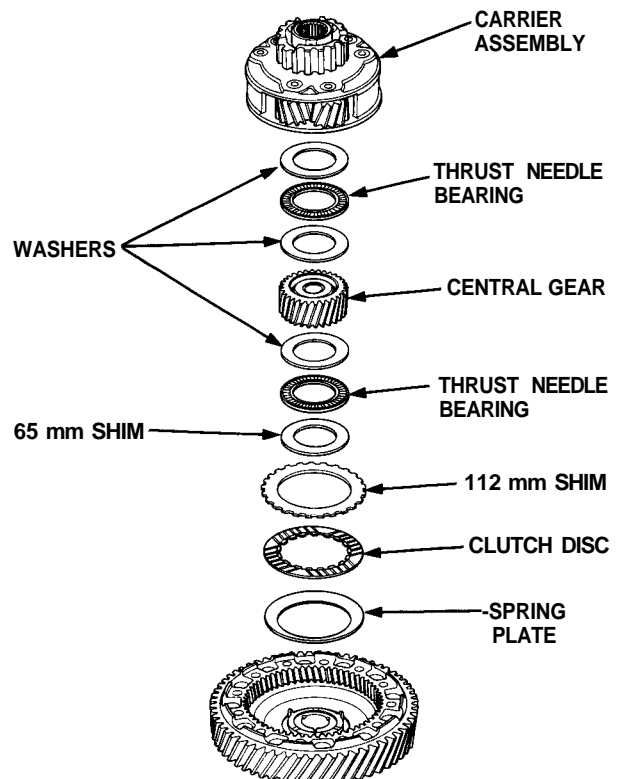
2. Remove the differential housing, stopper plate, washer, thrust needle bearing, and 65 mm shim.

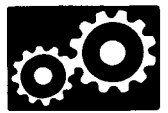


3. Remove the 112 mm shim, clutch discs, clutch plates, and 102 mm washer.



4. Remove the parts shown below.





5. Screw two 8 x 1.0 mm bolts into the threaded holes in the differential housing cover to push it away from the final driven gear.

NOTE: Turn each bolt two turns at a time to prevent cocking the differential housing cover excessively.

