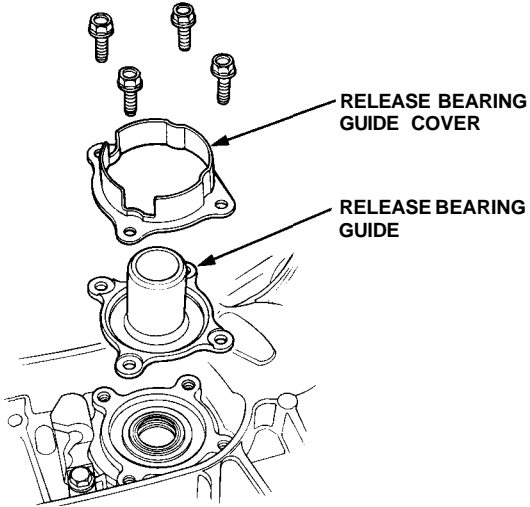


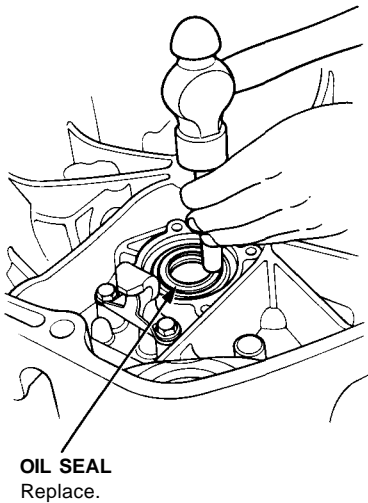
Mainshaft Oil Seal (Clutch Housing)

Replacement

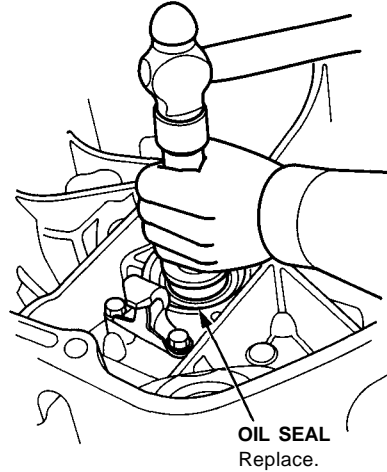
1. Remove the release bearing guide cover and release bearing guide.



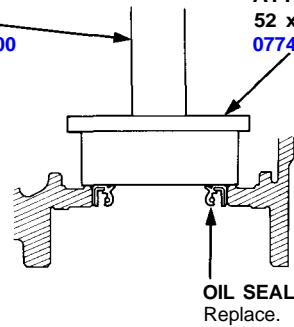
2. Remove the oil seal.



3. Drive a new oil seal from the clutch side using the special tools as shown.



- DRIVER
07749 - 0010000
- ATTACHMENT,
52 x 55 mm
07746 - 0010400



4. Install the release bearing guide and release bearing guide cover.

