



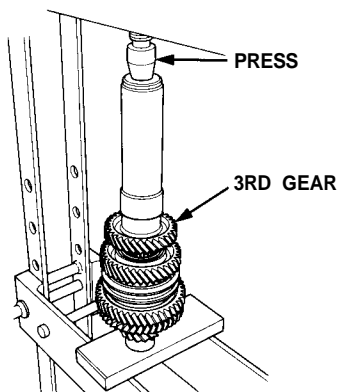
Reassembly

CAUTION:

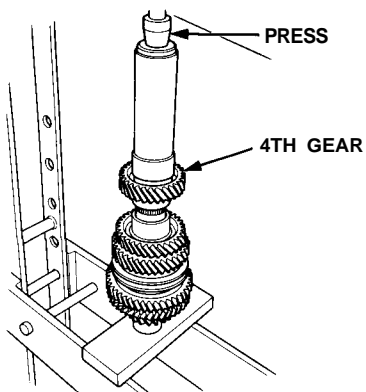
- Prior to reassembling, clean all the parts in solvent, dry them, and apply lubricant to any contact parts.
- Press the 3rd, 4th and 5th gears on the countershaft without lubrication.
- When installing the 3rd, 4th and 5th gears, support the shaft on steel blocks, and install the gears using a press.
- Install the 3rd, 4th and 5th gears with a maximum pressure of 1,000 kg, then press all three gears with a pressure of 2,600 kg.

NOTE: To reassemble, see page 13-29.

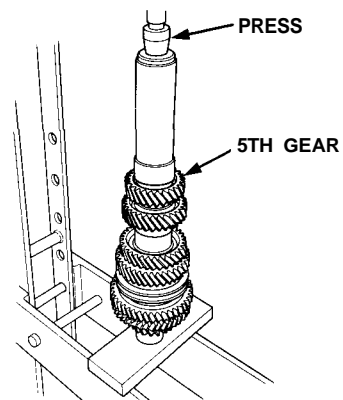
1. Support the countershaft on a steel block as shown, and install 3rd gear using a press.



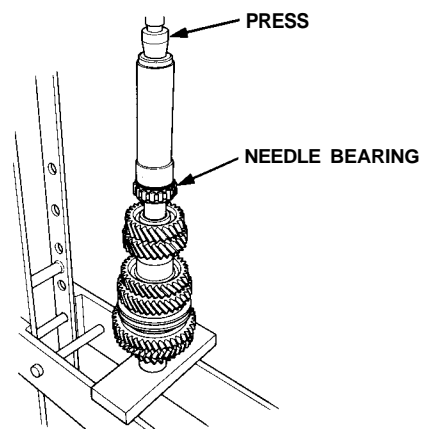
2. Install 4th gear using a press as shown.



3. Install 5th gear using a press as shown.



4. Install the needle bearing using a press as shown, then install the bearing outer race.

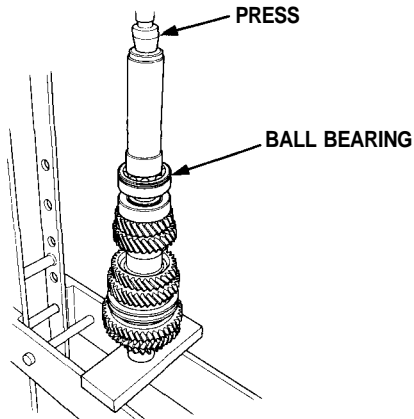


(cont'd)

Countershaft Assembly

Reassembly (cont'd)

5. Install the ball bearing using a press as shown.



6. Securely clamp the countershaft assembly in a bench vise with wood blocks.
7. Install the spring washer, tighten the locknut, then stake the locknut tab into the groove.

NOTE: The locknut has left-hand threads.

LOCKNUT

155 → 0 → 155 N-m

(15.5 → 0 → 15.5 kg-m, 112 → 0 → 112 lb-ft)

SPRING WASHER

