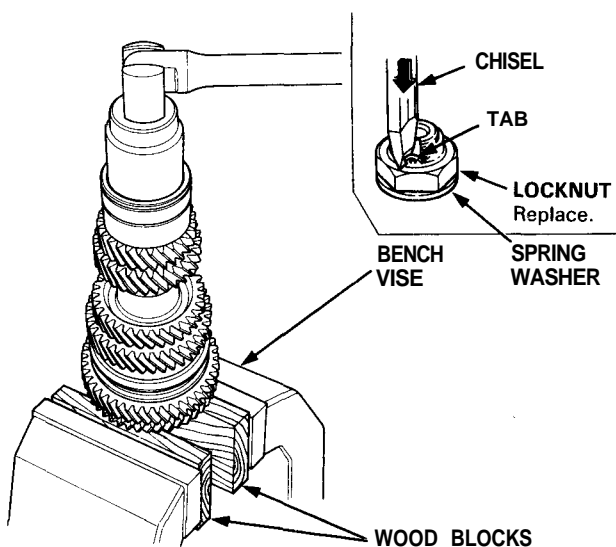




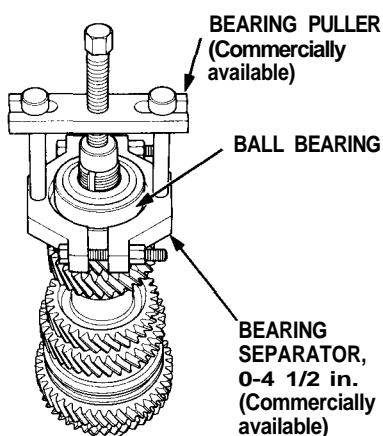
Disassembly

1. Securely clamp the countershaft assembly in a bench vise with wood blocks.
2. Raise the locknut tab from the groove of the countershaft, and remove the locknut and the spring washer.

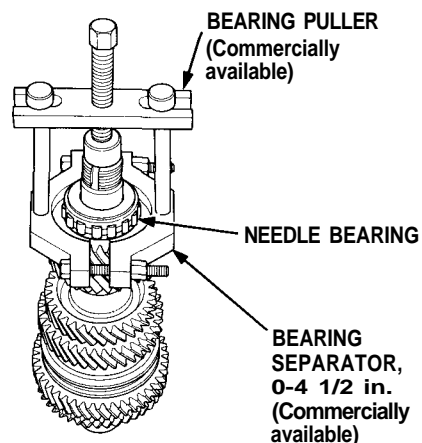
NOTE: The locknut has left-hand threads.



3. Remove the ball bearing using a bearing puller as shown.

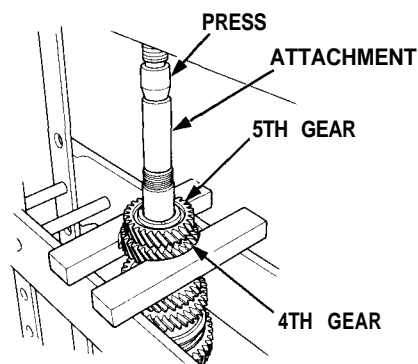


4. Remove the bearing outer race from the needle bearing, then remove the needle bearing using a bearing puller as shown.



CAUTION: Remove the gears using a press and steel blocks as shown. Use of a jaw-type puller can damage the gear teeth.

5. Support 4th gear on steel blocks as shown, and press the shaft out of 5th and 4th gears.



(cont'd)

Countershaft Assembly

Disassembly (cont'd)

6. Support 2nd gear on steel blocks as shown, and press the shaft out of 3rd and 2nd gears.

