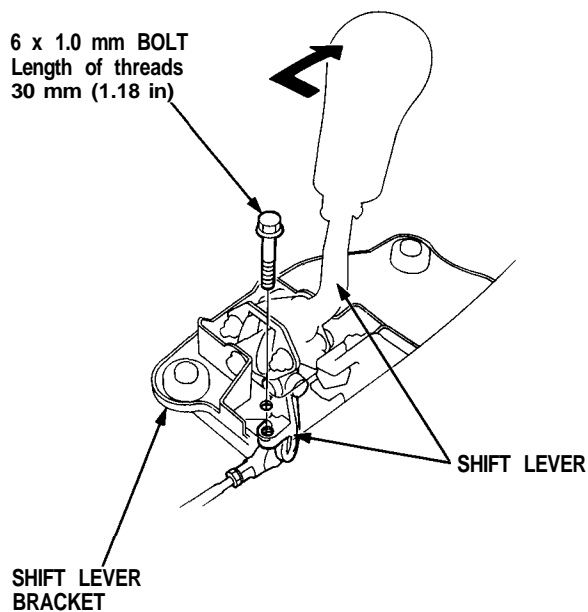




Cable Adjustment

1. Remove the center console panel (see [section 20](#)).
2. Move the shift lever into 1st gear.
3. Install the 6 mm bolt to the shift lever.

NOTE: While moving the shift lever back and forth, and right and left, tighten the bolt until the range of free play of the shift lever is 1—2 mm.

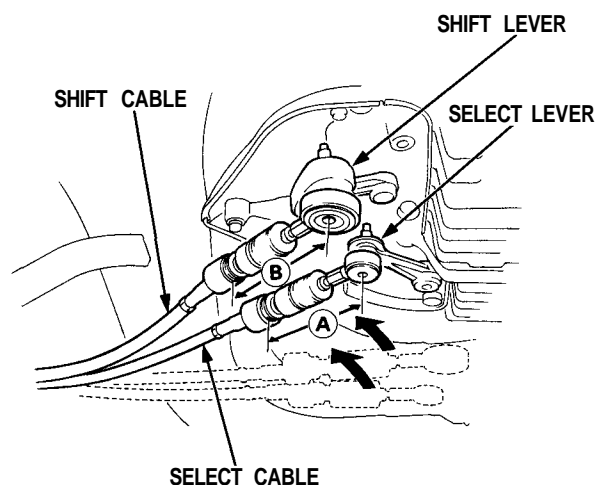


4. Remove the transmission lower cover.
5. Disconnect the select and shift cables from the transmission, then remove the cable bracket with the select and shift cables.
6. Remove the select and shift cables from the cable bracket.

7. Measure the distances **(A)** and **(B)**.

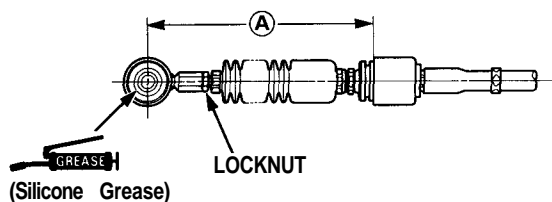
NOTE:

- Hold the cable ends up to the select and shift levers as if they were connected to them.
- Adjust by loosening the locknut at the cable end and turning the cable end.



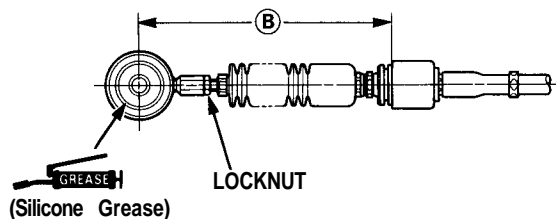
SELECT CABLE

(A): 155.4 mm (6.12 in)



SHIFT CABLE

(B): 178.5 mm (7.03 in)



8. Install in the reverse order of removal.
9. After installing, check operation of the shift lever.