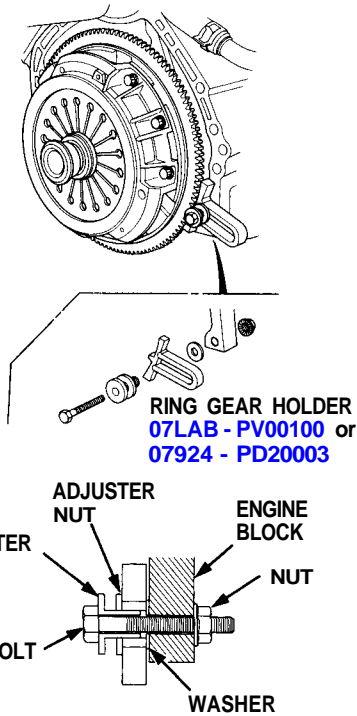


Pressure Plate, Clutch Disc, Mid Plate

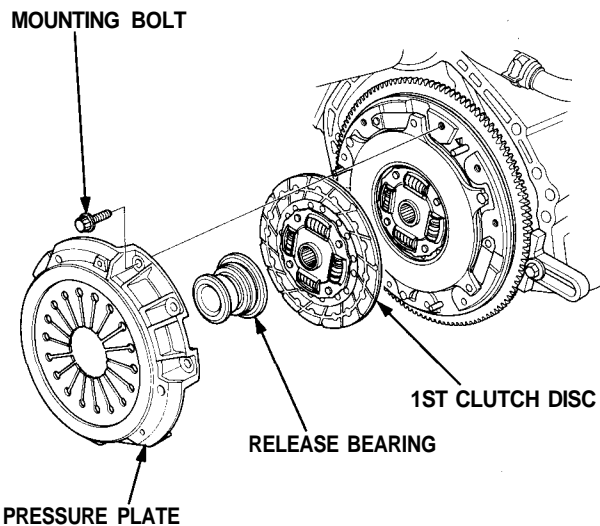
Removal

1. Install the special tools.

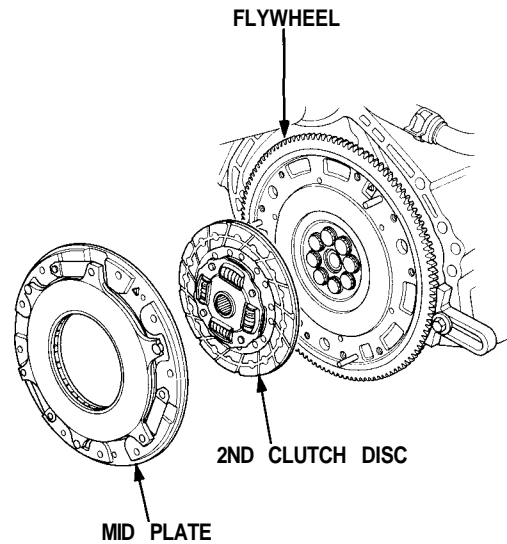


2. To prevent warping, unscrew the pressure plate mounting bolts in a crisscross pattern in several steps, then remove the pressure plate and the 1st clutch disc.

3. Remove the release bearing from the pressure plate.



4. Remove the mid plate and the 2nd clutch disc.



5. Remove the spring collar and damper washer from the flywheel.

