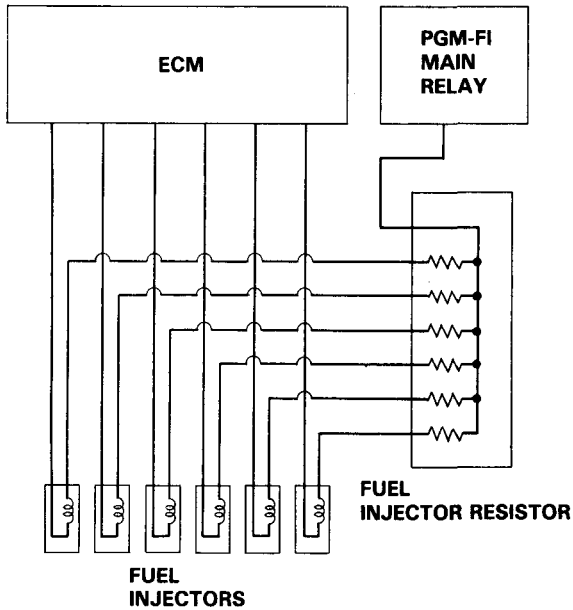


# Fuel Supply System

## Fuel Injector Resistor

### Description

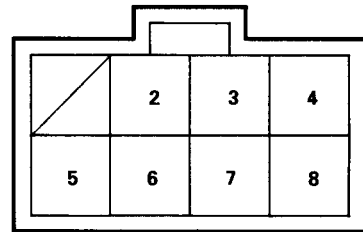
The fuel injector resistor lowers the current supplied to the fuel injectors to prevent damage to the fuel injector coils. This allows a faster response time of the fuel injectors.



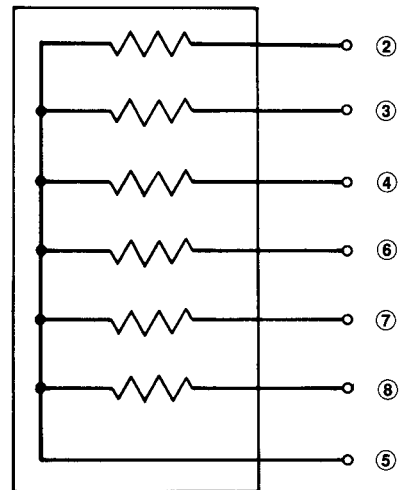
### Testing

1. Disconnect the fuel injector resistor connector.
2. Check for resistance between each of the fuel injector resistor terminals (2, 3, 4, 6, 7 and 8) and the power terminal (5).

Resistance should be: 5 - 7  $\Omega$



TERMINAL SIDE OF MALE TERMINALS



- Replace the fuel injector resistor with a new one if any of the resistances are outside of the specification.