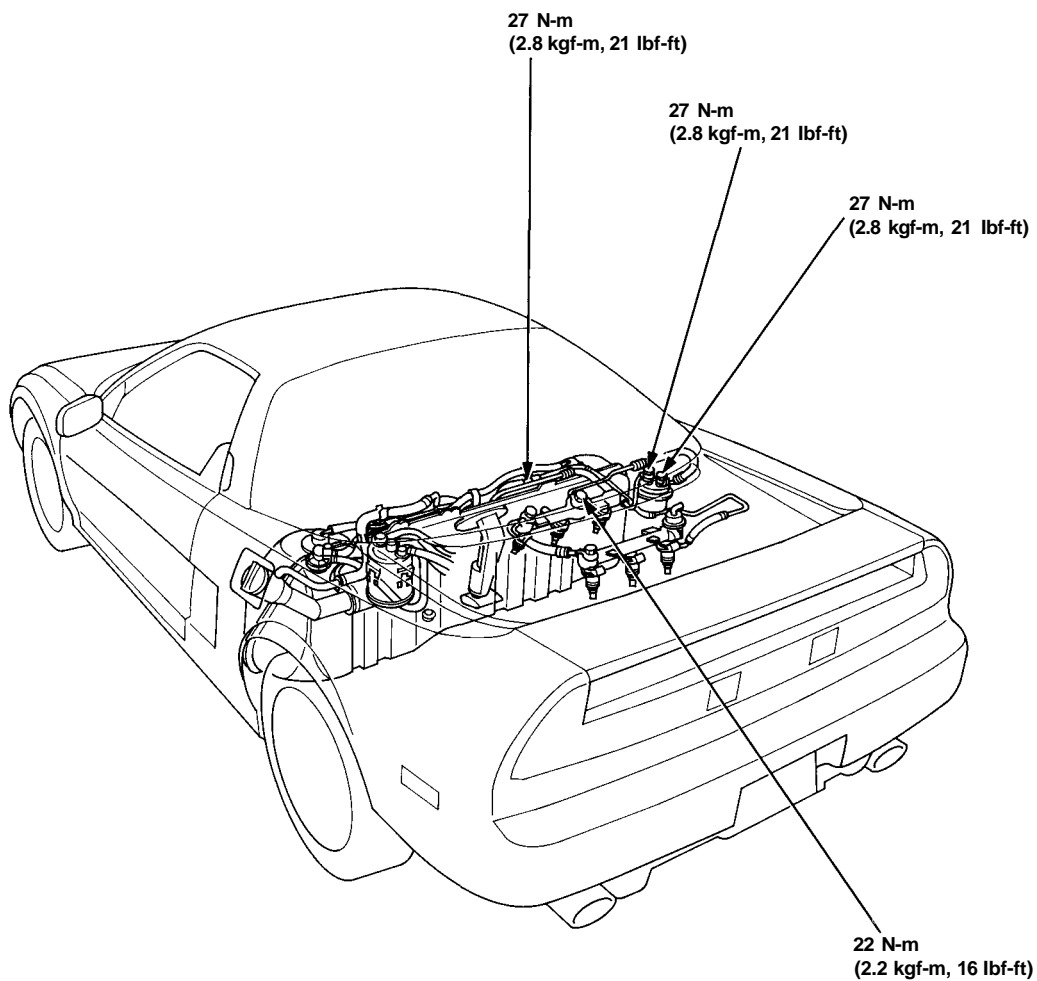


Fuel Supply System

Fuel Lines

NOTE: Check all fuel system lines and hoses for damage, leaks or deterioration, and replace if necessary.





NOTE: Check all hose clamps and retighten if necessary.

