

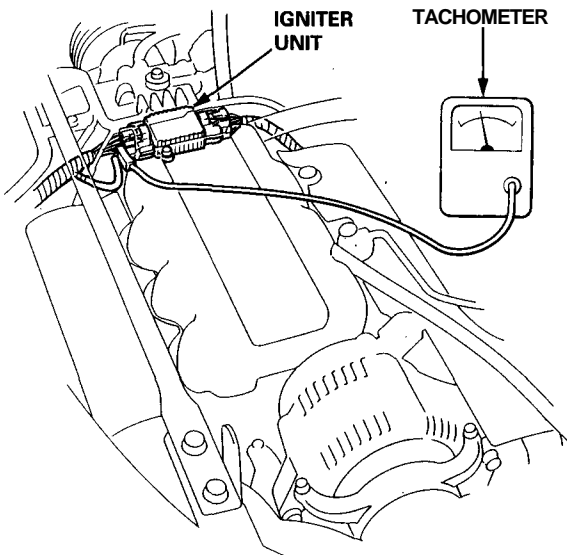
Idle Control System

Idle Speed Setting

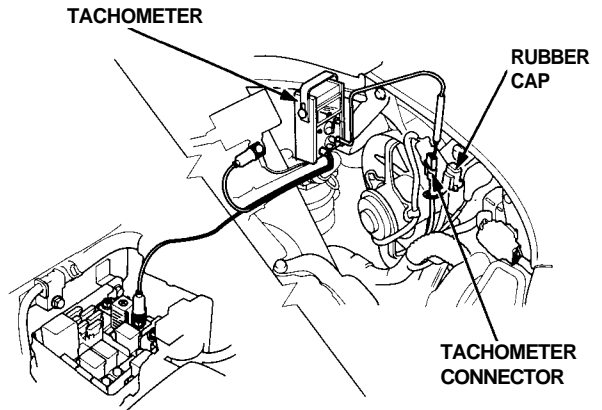
Inspection/Adjustment

NOTE: Before setting the idle speed, check the following items:

- The Check Engine light has not been reported on.
 - Ignition timing
 - Spark plugs
 - Air cleaner
 - PCV system
1. Start the engine. Hold the engine at 3,000 rpm with no load (A/T in **N** or **P** position, M/T in neutral) until the radiator fan comes on, then turn the ignition switch OFF.
 2. Connect the SCS service connector to service check connector.
 3. Connect a OBDII scan tool (see page 11-38) or tachometer.
 - Connect a tachometer to loop of igniter unit secondary, or...



- Remove the rubber cap from the tachometer connector and connect a tachometer.



4. Restart the engine.
5. Check idling in no-load conditions in which the headlights, blower fan, rear defogger, cooling fan, and air conditioner are not operating.

NOTE: Do not depress the accelerator pedal in this step.

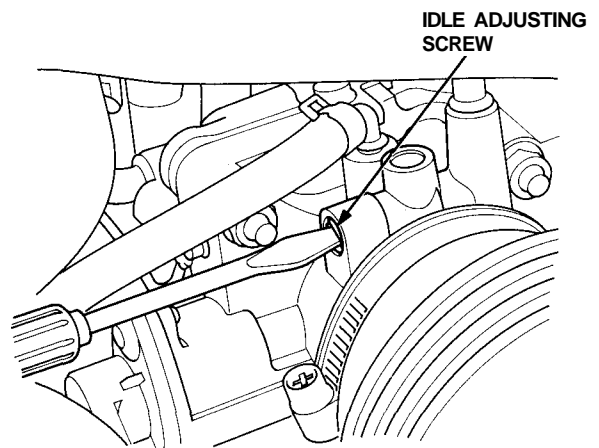
Idle speed should be:

M/T	600 ± 50 rpm
A/T	600 ± 50 rpm (in N or P position)

Adjust the idle speed, if necessary, by turning the idle adjusting screw.

NOTE: After adjusting the idle speed in this step, check the ignition timing (see [section 23](#)).

If it is out of spec, go back to step 4.





6. Disconnect the SCS service connector.
7. Depress the accelerator pedal and stabilize the engine speed at 1,000 rpm, then slowly release the pedal until the engine idles, then check the idle speed.

Idle speed should be:

M/T	800 ± 50 rpm
A/T	780 ± 50 rpm (in N or P position)