

# Lift and Support Points (cont'd)

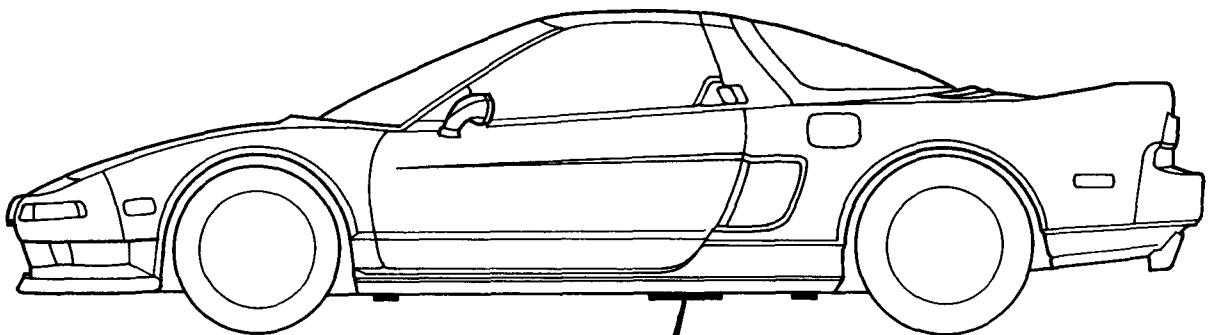
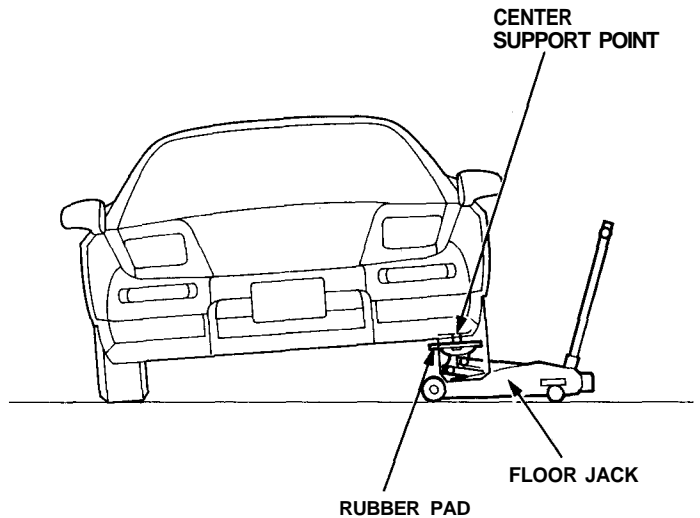
## Floor Jack

**CAUTION:** Place a rubber pad between the lift platform and the center support point to avoid damaging the car. The lift platform must contact the support point only; it must not come in contact with any other part of the car.

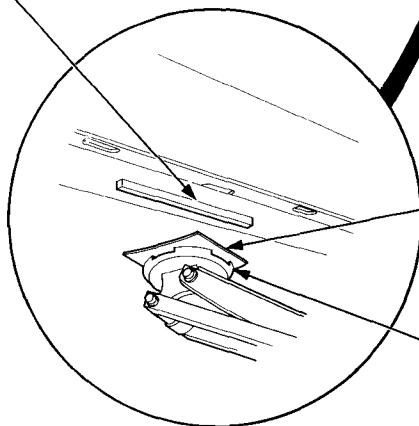
1. Set the parking brake, and block the wheels that are not being lifted.
2. When lifting the rear of the car, put the gearshift lever in reverse (Automatic in **P** position).
3. Raise the car high enough to insert the safety stands.
4. Adjust and place the safety stands as shown on page 1-11 so the car will be approximately level, then lower the car onto them.

**⚠ WARNING**

- Always use safety stands when working on or under any vehicle that is supported by only a jack.
- Never attempt to use a bumper jack for lifting or supporting the car.



CENTER SUPPORT POINT



RUBBER PAD

LIFT PLATFORM